



Lower Limb
Prosthetic Catalogue
Issue 20



Contents

Introduction	4-5
Activity Level Guide	6-9
Integrated Limb System	10-13
Knees	14-31
Feet and Ankles	32-75
Junior	76-85
Controls	86-89
Adapters	90-105
Liners	106-111
Cosmesis	112-119
Socket Technology	120-122
Workshop Equipment	123-129
Index	131
Warranty Information	132
Global Warranty Statement	133



Corporate Overview

Blatchford is a multi-award winning manufacturer of some of the world's most advanced prosthetic technology. We combine clinical expertise and pioneering innovation to redefine mobility and our evidence-based approach prioritises the wellbeing and long-term health of users.

Founded in 1890, we have a long history of firsts and continue to be widely recognised for our commitment to innovation in the industry.

We are proud to have created the very first commercially available hydraulic ankle, the first microprocessor-controlled hydraulic ankle and the world's first fully integrated limb system. Our pioneering technology has also been the recipient of many prestigious awards including the Queen's Award, the MacRobert Award, the German Design Award and the Medical Design Excellence Award.

Our holistic approach to product design centres around the whole person and not just their mobility limitation. This ensures we develop solutions that not only help people to get the most out of every day, but to do so in a way that cares for their long-term health and wellbeing. Through extensive collaboration, we also work to provide evidence and inform best practice in the industry to give healthcare providers the confidence to prescribe and find solutions that deliver results.





Activity Levels

Prescription Activity Level Guide



Has the ability or potential to use a prosthesis for transfers or ambulation on level surfaces at fixed cadence. Typical of the limited and unlimited household ambulator.



Has the ability or potential for ambulation with the ability to traverse low level environmental barriers such as curbs, stairs, or uneven surfaces. Typical of the limited community ambulator.



Has the ability or potential for ambulation with variable cadence. Typical of the community ambulator who has the ability to traverse most environmental barriers and may have vocational, therapeutic, or exercise activity that demands prosthetic utilization beyond simple locomotion.



Has the ability or potential for prosthetic ambulation that exceeds basic ambulation skills, exhibiting high impact, stress, or energy levels. Typical of the prosthetic demands of the child, active adult, or athlete.

Prescription Impact Level Guide

Low Daily walking and occasional sports such as golf and hiking

Moderate Aggressive walking, frequent or daily sports such as jogging

High Daily activities such as distance running, climbing, lifting and carrying heavy objects for vocational purposes

Notes

1. The maximum user weight/activity guidelines provided on our catalogue product pages and Clinician's Manuals give the ideal functional prescription, this may vary by region or reimbursement system. Our instructions for use provide structural safety levels which may differ.
2. The weight limit on the complete prosthesis is determined by its lowest rated component.
3. The weight limit applies to all products unless stated otherwise.
4. Before assembly always refer to the appropriate technical information.
5. See Blatchford website for latest product information.

Activity Levels

Product	Level 1	Level 2	Level 3	Level 4
Integrated Limb System				

Linx				
------	--	--	--	--

Product	Level 1	Level 2	Level 3	Level 4
Microprocessor Knees				

Orion ³				
--------------------	--	--	--	--

Smart IP				
----------	--	--	--	--

Hydraulic Knees				
-----------------	--	--	--	--

KX06				
------	--	--	--	--

Mercury				
---------	--	--	--	--

Locking and Free Option Knees				
-------------------------------	--	--	--	--

ESK ⁺				
------------------	--	--	--	--

ESK ⁺ MKL				
----------------------	--	--	--	--

Compact SAKL				
--------------	--	--	--	--

Aqualimb ^{TF}				
------------------------	--	--	--	--

Product	Level 1	Level 2	Level 3	Level 4
Junior				

Mini Blade ^{XT}				
--------------------------	--	--	--	--

Child's 4-bar Knee				
--------------------	--	--	--	--

Activity Levels

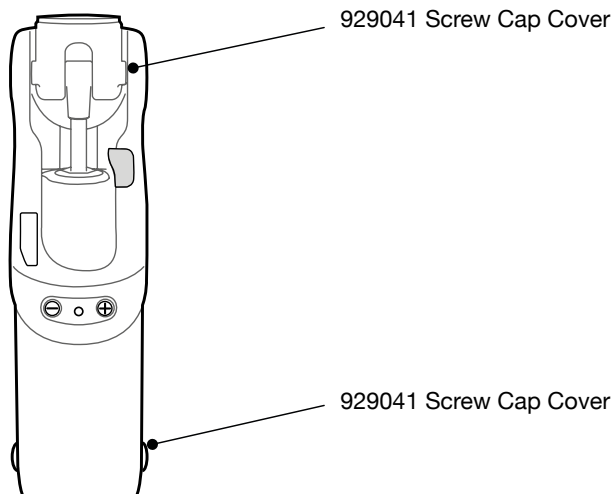
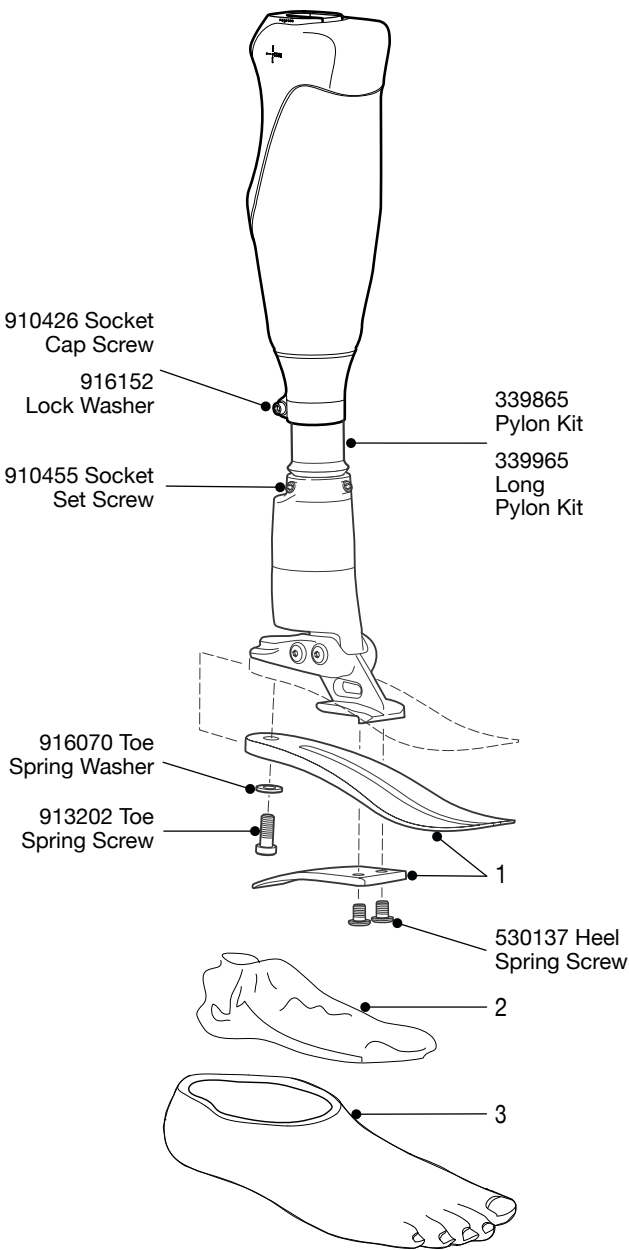
Product	Level 1	Level 2	Level 3	Level 4
Feet With Dynamic Foot Springs				
Elan				
Elan ^{IC}				
Echelon ^{VAC}				
Echelon ^{VT}				
Echelon				
Echelon ^{ER}				
Elite ²				
Elite ^{VT}				
Epirus				
Esprit				
Elite Blade				
Elite Blade ^{VT}				
Blade ^{XT}				
Javelin				
Feet With Resilient/Cushioned Ankle Function				
Avalon ^{K2}				
AvalonK2 ^{VAC}				
Navigator				
Multiflex <small>Standard/Slim</small>				
SuperSACH				
Aqualimb ^{TT}				



Integrated Limb System



Linx Schematics



1 Spring Kits:

Foot Size	Foot Size	Foot Size	Foot Size
22-24	25-26	27-28	29-30
Set 1 - 539801S	Set 1 - 539810S	Set 1 - 539819S	Set 1 - 539828S
Set 2 - 539802S	Set 2 - 539811S	Set 2 - 539820S	Set 2 - 539829S
Set 3 - 539803S	Set 3 - 539812S	Set 3 - 539821S	Set 3 - 539830S
Set 4 - 539804S	Set 4 - 539813S	Set 4 - 539822S	Set 4 - 539831S
Set 5 - 539805S	Set 5 - 539814S	Set 5 - 539823S	Set 5 - 539832S
Set 6 - 539806S	Set 6 - 539815S	Set 6 - 539824S	Set 6 - 539833S
Set 7 - 539807S	Set 7 - 539816S	Set 7 - 539825S	Set 7 - 539834S
Set 8 - 539808S	Set 8 - 539817S	Set 8 - 539826S	Set 8 - 539835S

2 Glide Sock: 22-26 - 531011, 27-30 - 532811

3 Foot shells:*

Foot size Left/Right	Narrow	Wide
22L	539038S	-
22R	539039S	-
23L	539040S	-
23R	539041S	-
24L	539042S	-
24R	539043S	-
25L	539044SN	539044SW
25R	539045SN	539045SW
26L	539046SN	539046SW
26R	539047SN	539047SW
27L	539048SN	539048SW
27R	539049SN	539049SW
28L	539050SN	539050SW
28R	539051SN	539051SW
29L	-	539052S
29R	-	539053S
30L	-	539054S
30R	-	539055S

*For dark tone add suffix D

Pylon Kit	339865
Pylon cutting jig	941257
Battery charger kit	239093
Aus adapter	950164
UK adaptor	950136
Euro adaptor	950137
US adaptor	950138
Shin extension cable	239090
Socket screwdriver 4mm	940271
Socket Hex 5mm AF	940266
Clinician's Manual	938353S
Cosmetic Cover	561101BLACK

Proximal Attachments

Rotating Pyramid with Shift	239017		
Non-rotating Pyramid with Shift	239089		
Rotating Female Pyramid with Shift	189128		
M36 Threaded Adapter	239092		

Build part numbers are for assembly guidance only and may not be for sale separately.



Fully integrated, microprocessor controlled lower limb system for above knee amputees.

Linx

Features

- **Situational Awareness** - Integrated sensors continuously collect data to seamlessly adapt the limb's response
- Varying levels of stance resistance to optimise safety at all times:
 - Standing support
 - Supported sitting
 - Controlled stance support
 - Stumble recovery
 - Dynamic stair descent
 - Dynamic slope descent
- Cycling Mode and Fixed Angle Flexion Lock Mode
- Knee Flexion to 130°
- Intuitive Programming Software via PC or App
- Up to 3 days battery life
- Sandal Toe Foot Shell

Specifications

Max. User Weight:	125kg
Activity Level:	(2), 3, (4*)
Size Range:	22 to 30
Component Weight:	2.6kg†
Build Height:	470mm to 565mm
Heel Height:	10mm



Order Example

Product Code	Size	Side	Width*	Spring Set	Sandal Toe
LINX	25	L	N	3	S

*Narrow (N) and Wide (W) available for sizes 25-28 only.‡
 For dark tone add suffix D.
 Example: foot size 25, left, narrow, spring rating 3, sandal toe.

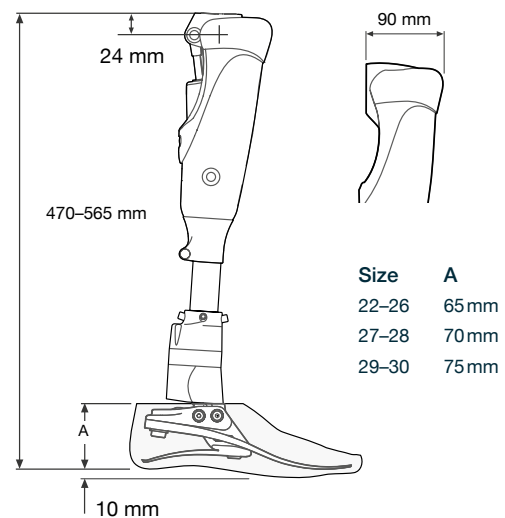
Accessories

Long Pylon Kit	339965	
Alignment Wedge	940093	
Programming Tablet	019179	

Socket Adapters



Build Height



Activity Level 3 has the ability or potential for ambulation with variable cadence. Typical of the community ambulator who has the ability to traverse most environmental barriers and may have vocational, therapeutic, or exercise activity that demands prosthetic utilization beyond simple locomotion. Activity level 2 and 4* users will require softer or stiffer springs as appropriate for the individual user rather than as shown in the spring selection guide.

Activity	User Weight								Spring set
	1	2	3	4	5	6	7	8	
3	44-52	53-59	60-68	69-77	78-88	89-100	101-116	117-125	kg
	100-115	116-130	131-150	151-170	171-195	196-220	221-255	256-275	lbs

*Max user weight 100kg and always use one higher spring rate.
 †Component weight shown is for a size 26cm without foot shell.
 ‡28N available Q1 2021.

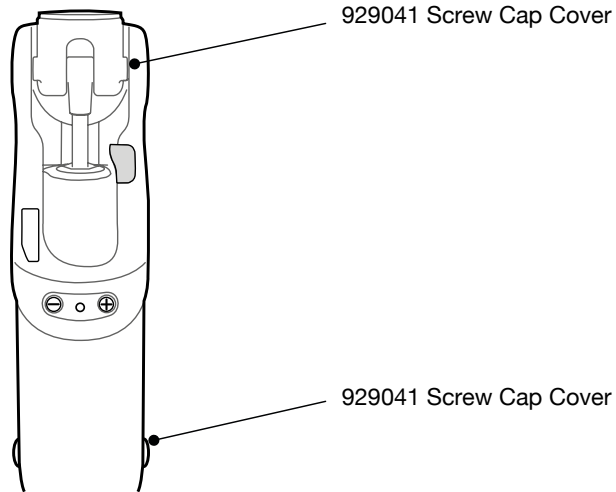
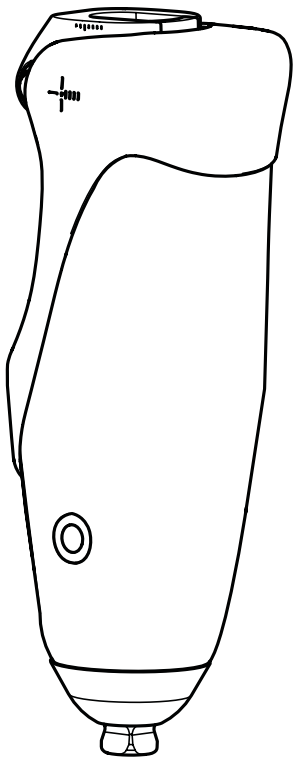






Knees

Orion³ Schematics



Instructions for use 938374



Microprocessor controlled hydraulic knee with intelligent speed control.

Orion³

Knees

Features

- Situational Awareness – an Inertial Measurement Unit senses movement and speed to respond accordingly, in real time
- Enhanced Stability Performance – 5 levels of stance resistance optimises safety at all times
 - Controlled Stance Support
 - Standing Support
 - Dynamic Slope and Stair Descent
 - Stumble Recovery
 - Supported Sitting
- Natural Efficient Motion - MPC pneumatics ensure energy efficient and smooth swing at multiple speeds
 - Optimal Stance Release
 - Adaptive Speed Control
 - Terminal Swing Damping
- Cycling Mode and Fixed Angle Flexion Lock Mode
- Knee Flexion to 130°
- Intuitive Programming Software via PC or App
- Lithium Ion batteries with up to 3 days life, dependent on usage
- Battery Life Indicator and Low Power Mode



Specifications

Max. User Weight:	125kg
Activity Level:	(2), 3, (4*)
Component Weight:	1.5kg
Build Height:	250mm
Control Unit:	MPK Hydraulic/Pneumatic

*Dependent on local reimbursement guidelines/maximum user weight 100kg



Part Numbers

ORION3

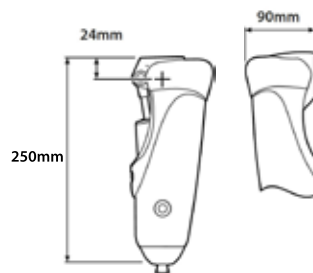
Accessories

Battery Charger Kit	239093
Programming Tablet	019179
Charger Extension Cable	239098
Cosmetic Cover	561101BLACK

Socket Adapters

P409049	
P189410	
P189410S	

Build Height

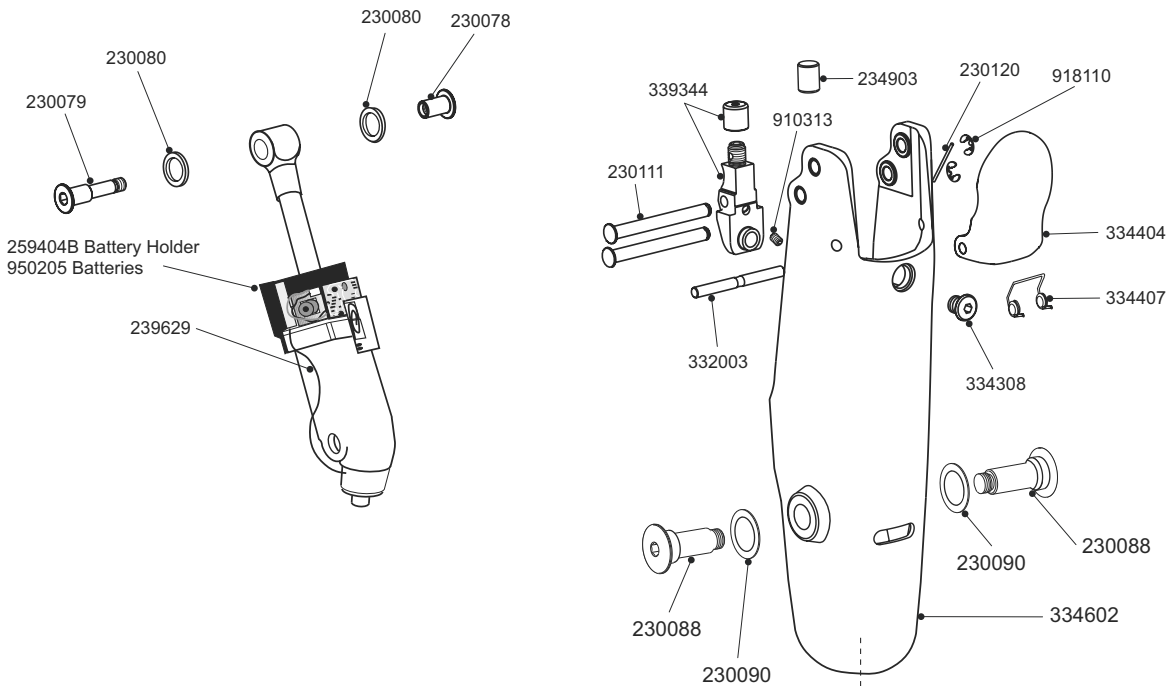
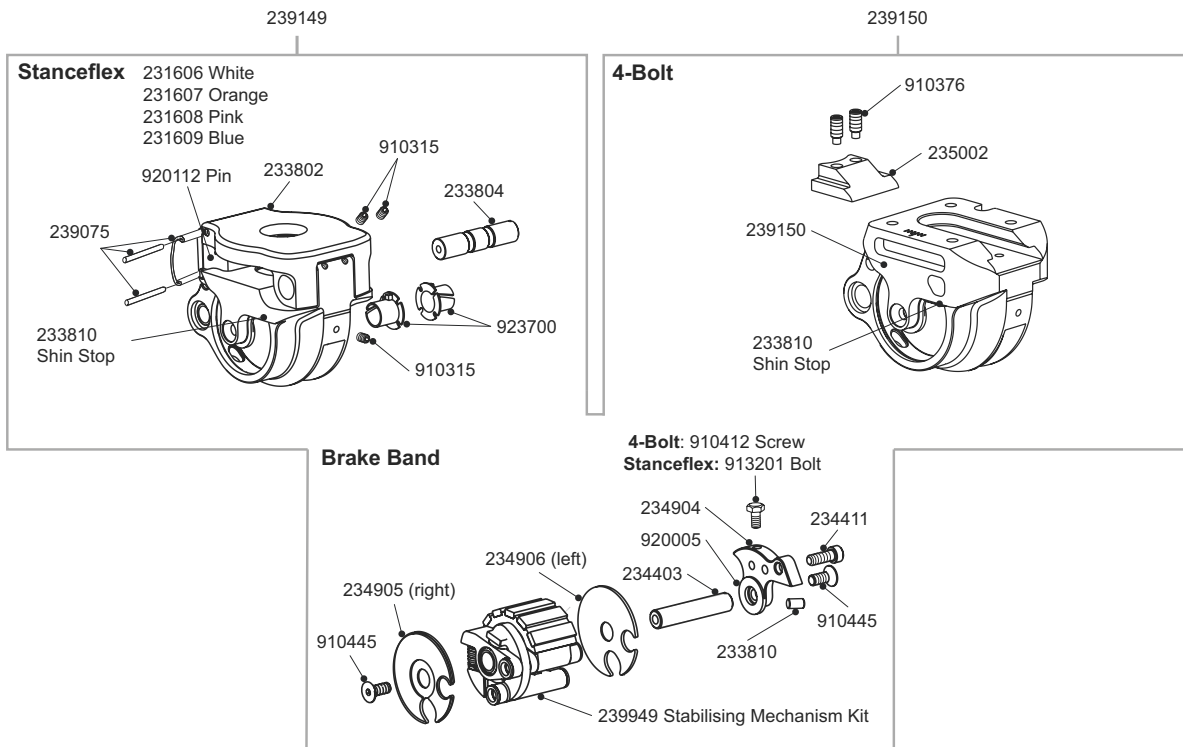


Proximal Attachments

Rotating Pyramid with Shift	239017			7mm
Non-rotating Pyramid with Shift	239089			7mm
Rotating Female Pyramid with Shift	189128			28mm
M36 Threaded Adapter	239092			14mm



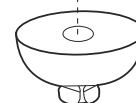
SmartIP Schematics



- | | |
|-------------------------------|---------------|
| Instructions for use | 938250 |
| Control cylinder instructions | 938238 |
| Alignment/stability | 938194 |
| Stanceflex ESK+ | 938192 |
| 4-Bolt ESK+ | 938205 |



339246
(Shin with Ø30 distal tube clamp)



339446
(Shin with distal pyramid)

Build part numbers are for assembly guidance only and may not be for sale separately.

Microprocessor controlled knee with programming technology for optimum swing settings.

SmartIP

Features

- Smart Programming, electromechanical, adjustable terminal impact and extension damping
- Comfortable gait from very slow to fast walking speeds
- Smoother speed progression because of enhanced program
- Weight activated stance control
- Stanceflex option improves comfort
- Battery life expectancy 9-12 months under normal usage
- 140° knee flexion
- 4-Bolt option reduces build height

Specifications

Max. User Weight:	125kg
Activity Level:	(1), 2, 3, (4*)
Component Weight:	1.27kg Stanceflex 1.15kg 4-Bolt
Build Height:	see diagram
Control Unit:	Swing: MPK/Pneumatic Stance: mechanical

* Maximum user weight 100kg



Part Number

Stanceflex options	SMARTIPSF30 SMARTIPSF30PYR
4-Bolt options	SMARTIP4B30 SMARTIP4BPYR

Stanceflex Rubber Hardness

25° 231608 Soft	35° 231606	45° 231607 Fitted as standard	70° 231609 Hard
------------------------------	----------------------	--	------------------------------

Careful selection of Stanceflex rubber is essential as it influences the action of the unit (see fitting information).

Socket Adapters

Stanceflex options

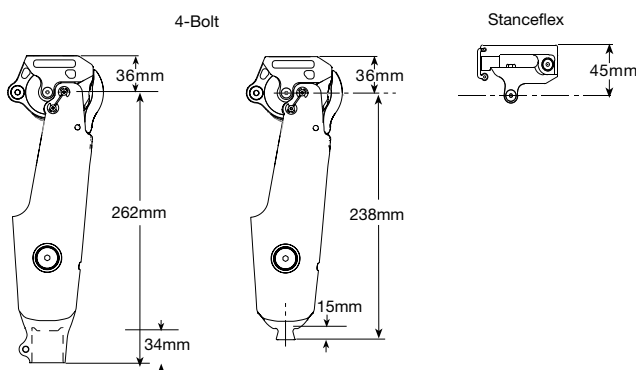


4-Bolt options

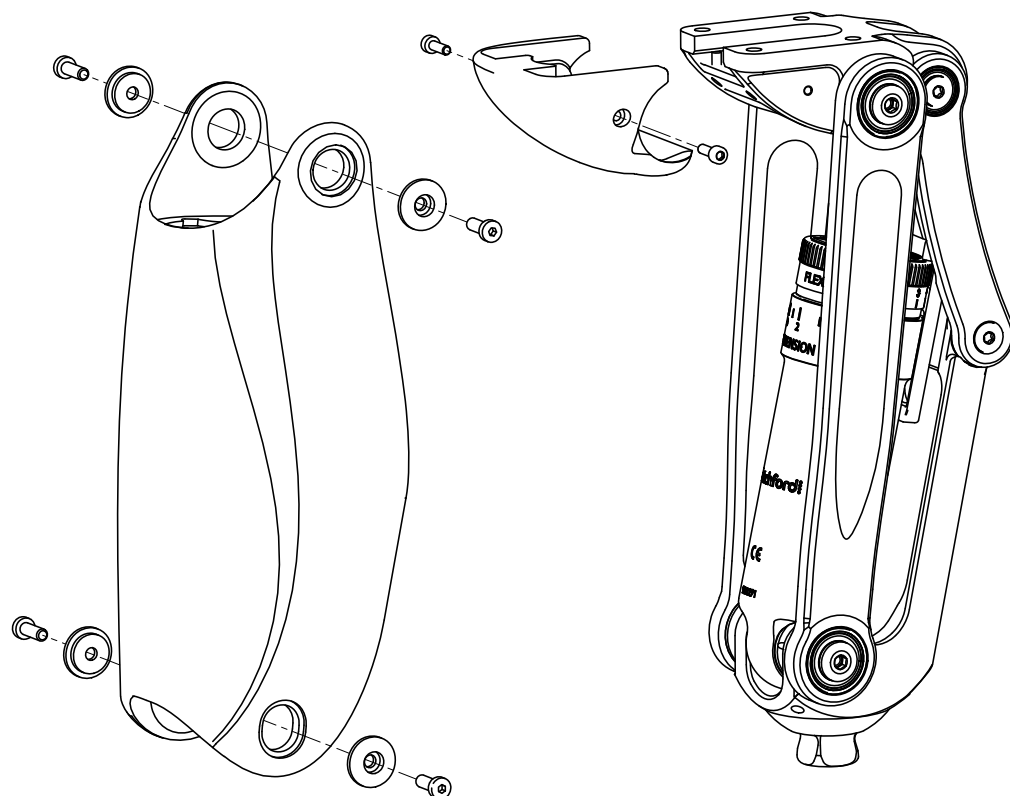


Pyramid option shown

Build Height



KX06 Schematics



Spare Parts:

Knee Pad Kit 239561

Cover replacement kit 239661

Spacer and screw kits for cover 239761

Cover spacer 236122

Instructions for use 938409



Build part numbers are for assembly guidance only and may not be for sale separately.

Robust hydraulic knee for active users.

KX06

Features

- Polycentric knee with hydraulic swing and stance
- Sleek robust design with protective cover
- 160° knee flexion
- Waterproof
- Mode switch for cycling and standing support
- Multiple proximal adapter choices

Specifications

Max. User Weight/Activity Level: 150kg/3
145kg/4

Component Weight: 1.34kg

Build Height: 220mm

Control Unit: Hydraulic



Part Numbers

KX06V2

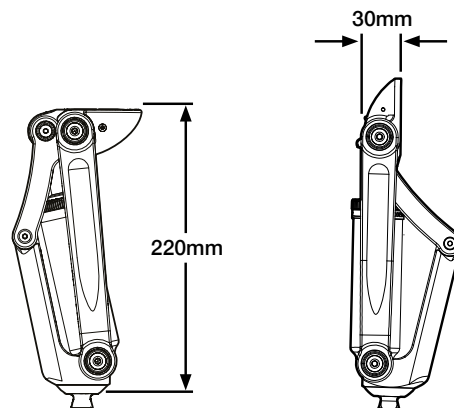
Accessories

Cylinder Adjuster Tool 940091 

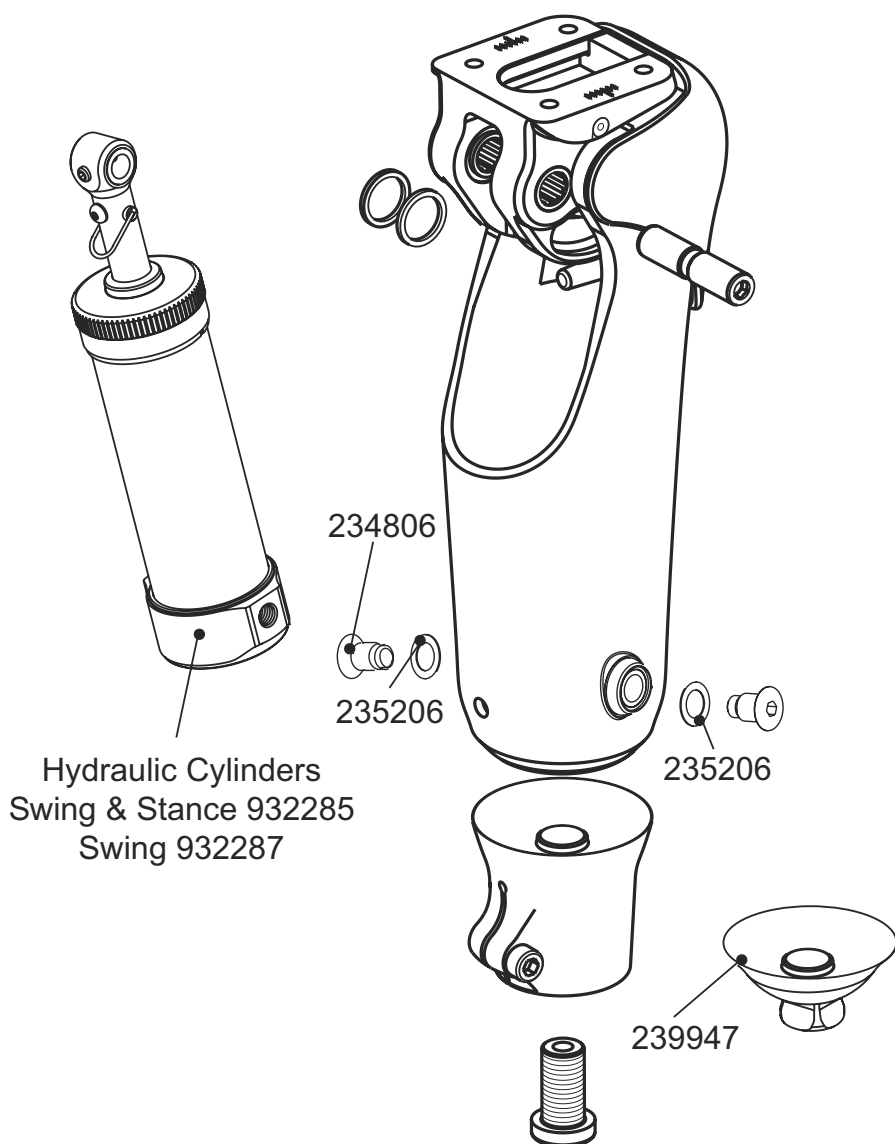
Socket Adapters



Build Height



Mercury Schematics



Instructions for use knee
Control cylinder instructions

938251
938216

Robust hydraulic knee for active lifestyles.

Mercury

Features

- Tough carbon fibre frame
- 125° knee flexion
- Long life needle roller bearings
- Reinforced hydraulic unit
- Variable cadence
- Cylinder flexion lock
- Mode switch for cycling
- Durable urethane kneeler pad
- Compact design

Specifications

Max. User Weight/Activity Level: 150kg/3
145kg/4

Component Weight: 1.23kg

Build Height: See diagram

Control Unit: Hydraulic



Part Numbers

MH30
MH30 SWING
MHPYR
MHPYR SWING

Discontinuous:

MHDPYRS - small kneeball 100mm
MHDPYRM - medium kneeball 110mm
MHD30S - small kneeball 100mm
MHD30M - medium kneeball 110mm

Accessories

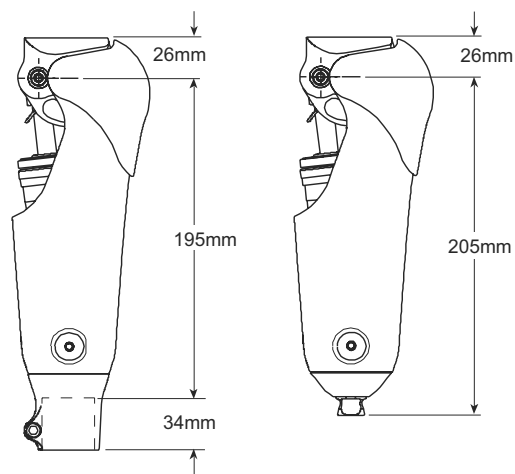
Mercury discontinuous cosmesis kit see page 117

Cylinder Adjuster Tool 940091 

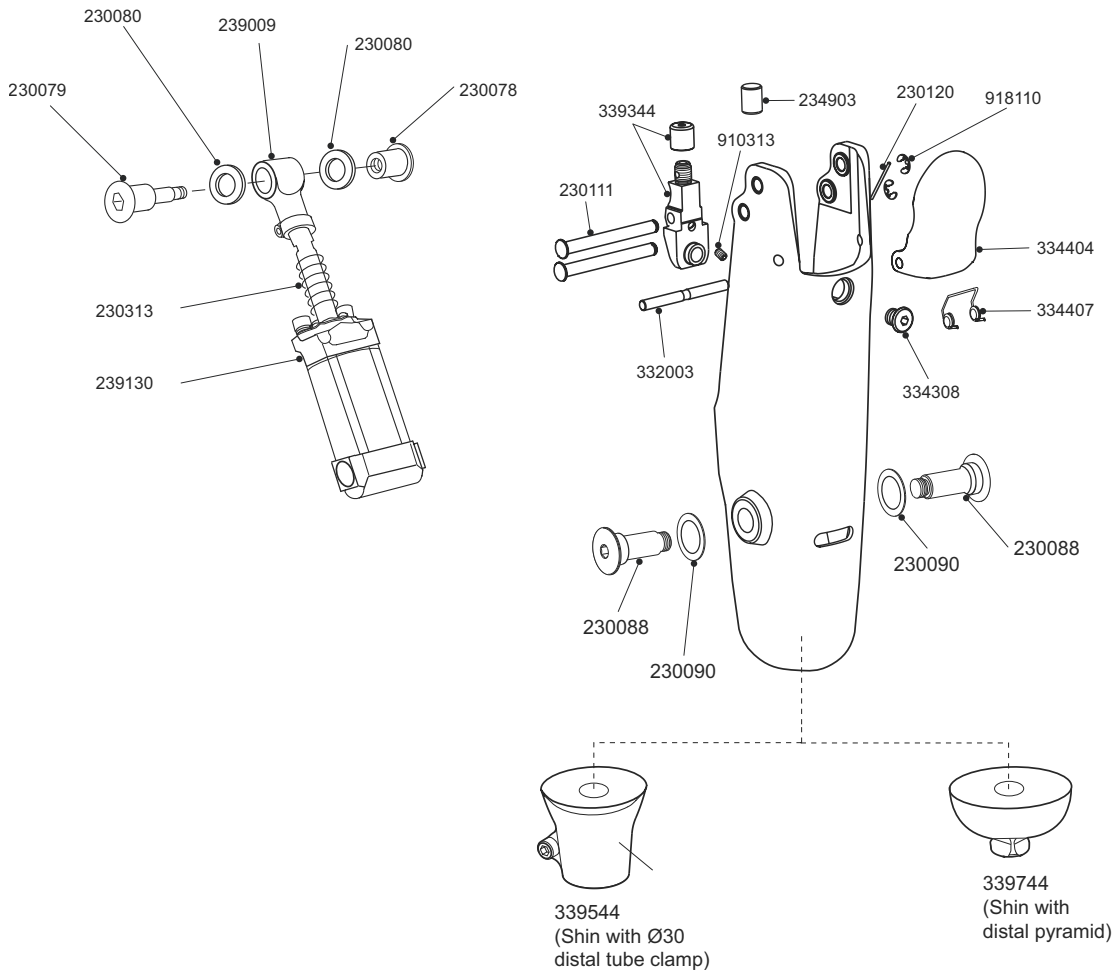
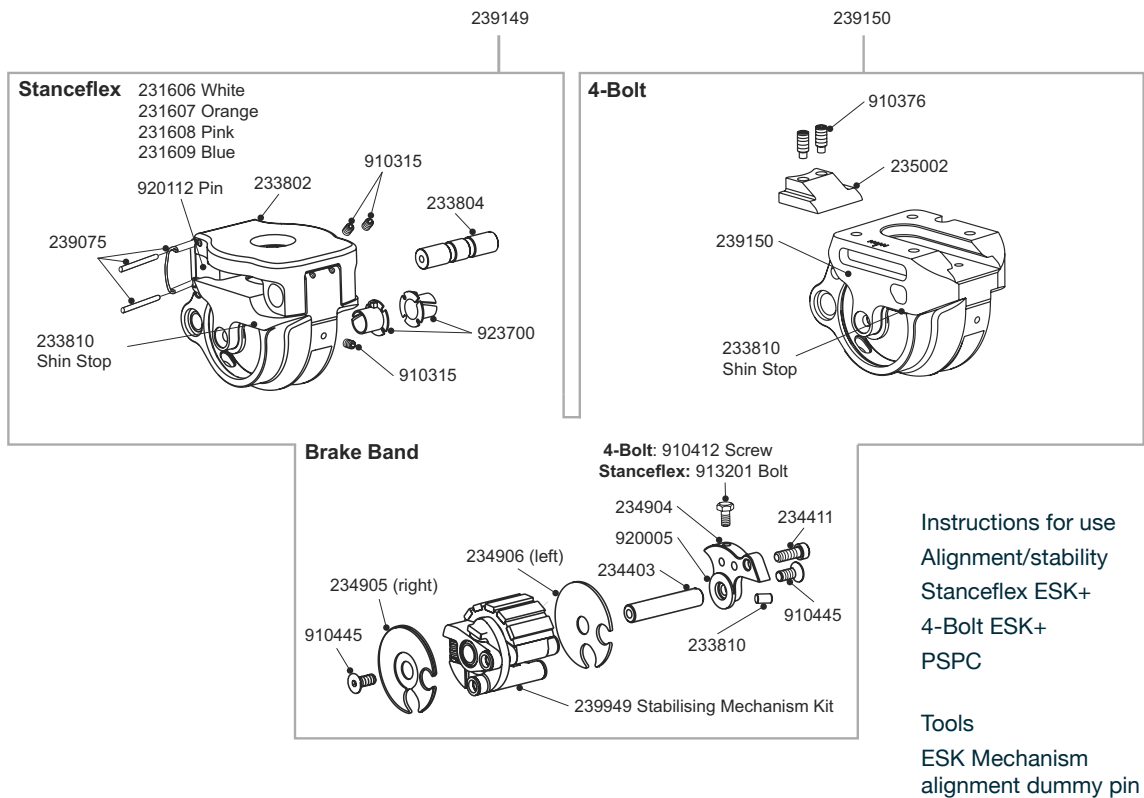
Socket Adapters



Build Height



ESK+ Schematics



Build part numbers are for assembly guidance only and may not be for sale separately.

PSPC knee with weight activated stance control for moderately active users.

ESK⁺

Features

- Weight activated adjustable stance control
- Pneumatic swing phase control
- Stanceflex option improves comfort
- 140° of knee flexion
- 4-Bolt option reduces build height

Specifications

Max. User Weight:	125kg
Activity Level:	2, 3, (4*)
Component Weight:	1.13kg Stanceflex 1.15kg 4-Bolt
Build Height:	See diagram
Control Unit:	Pneumatic

* Maximum user weight 100kg



Suitable for outdoor use

Part Numbers

4-Bolt options	ESK4BP30 ESK4BPPYR
----------------	-----------------------



Pyramid option shown

Stanceflex Rubber Hardness

25° 231608 Soft	35° 231606	45° 231607 Fitted as standard	70° 231609 Hard
------------------------------	----------------------	--	------------------------------

Careful selection of Stanceflex rubber is essential as it influences the action of the unit (see fitting information).

Socket Adapters

Stanceflex options

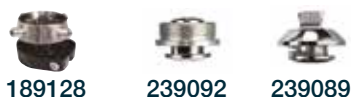


409041 189806 189123 189127
(rotation)

4-Bolt options

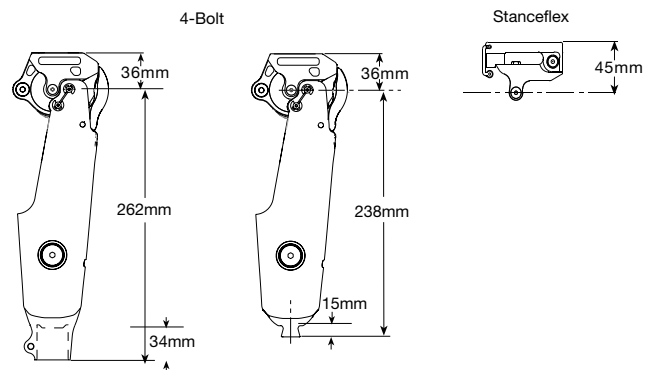


EP-MSR EP-FSR P189310 239017 239032



189128 239092 239089

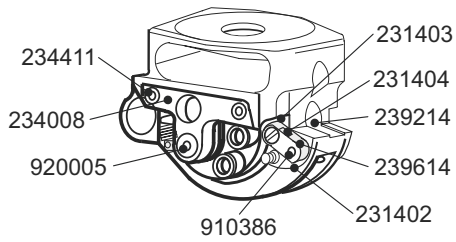
Build Height



ESK+ MKL Schematics

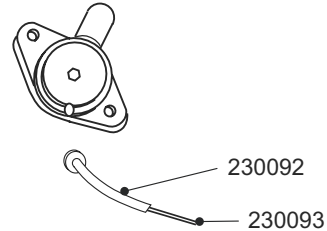
239440

Single Bolt Chassis

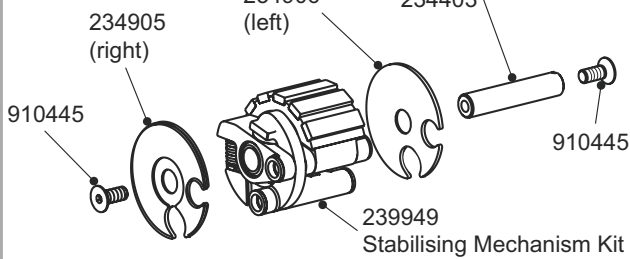


239640

Thigh Release Kit



Brake Band

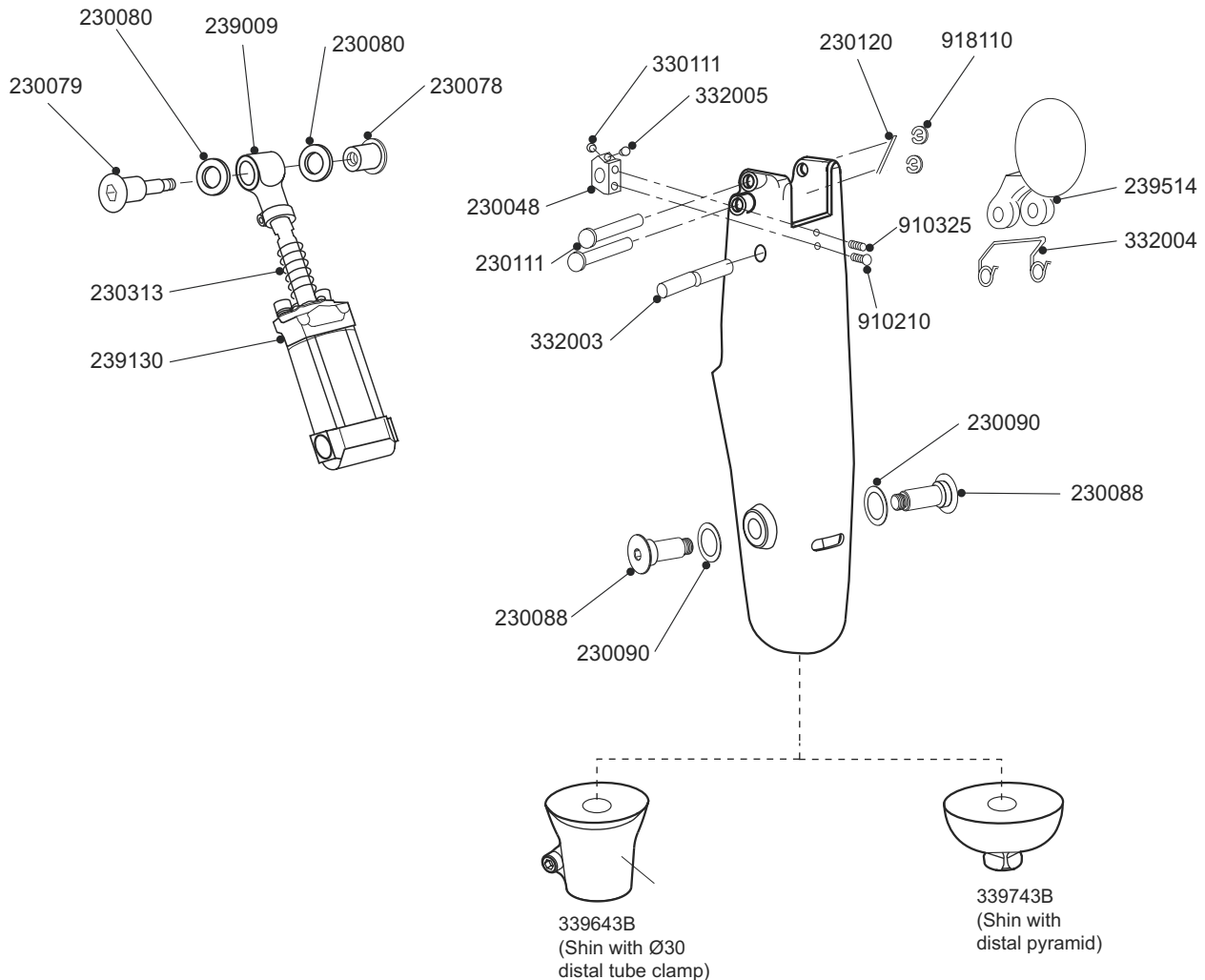


Instructions for use

- MKL thigh Release kit **938231**
- Knee **938230 & 938194**
- PSPC **938057**

Tools

- ESK Mechanism alignment dummy pin **234914**



Build part numbers are for assembly guidance only and may not be for sale separately.

PSPC knee with weight activated stance control and manual knee lock for moderately active users.

ESK+ MKL

Features

- Weight activated stance control with lock option
- Pneumatic swing control
- Manual user-operated lock
- 115° knee flexion
- Universal thigh release lock operation
- Proximal full alignment

Specifications

Max. User Weight:	125kg
Activity Level:	(1), 2, (3), (4*)
Component Weight:	1.2kg
Build Height:	See diagram
Control Unit:	Pneumatic/lock

* Maximum user weight 100kg



Pyramid option shown

Part Numbers

ESKSBMKLP30
ESKSBMKLPPYR

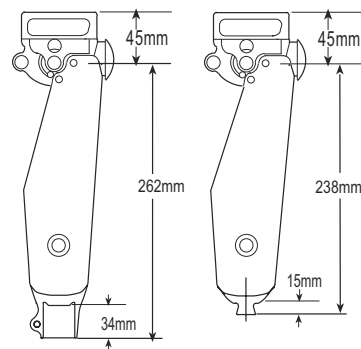
Accessories

Thigh Release Kit 239640 (included)

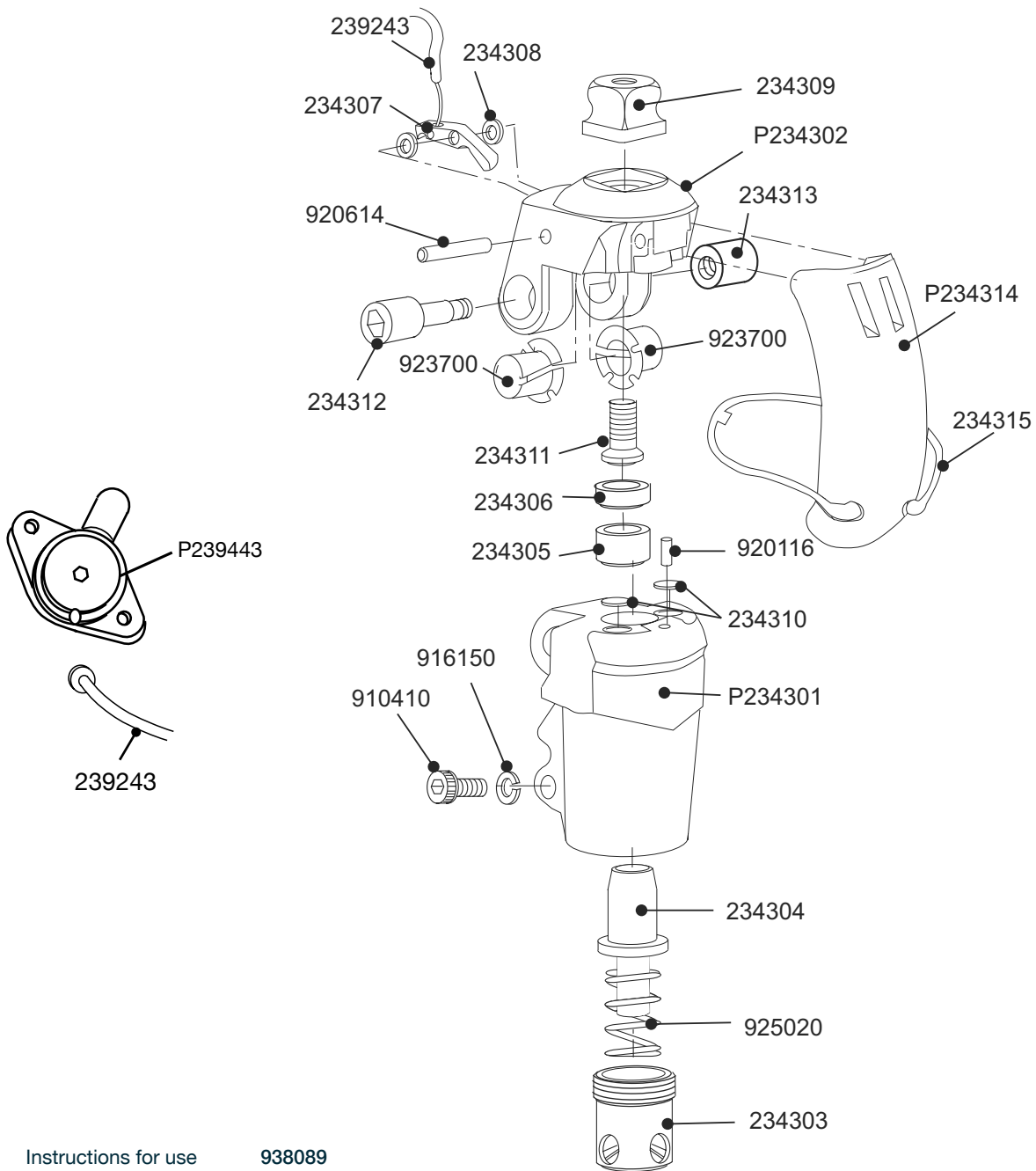
Socket Adapters



Build Height



Compact SAKL Schematics



Instructions for use 938089

Compact and lightweight knee,
ideal for low activity users.

Compact SAKL

Features

- Slim, low profile knee
- 140° knee flexion
- Locks automatically on extension
- Thigh release

Specifications

Max. User Weight:	125kg
Activity Level:	1-2
Component Weight:	325g
Build Height:	See diagram
Control Unit:	SAKL



Side view shown



Suitable for outdoor use

Part Number

P239143

Accessories

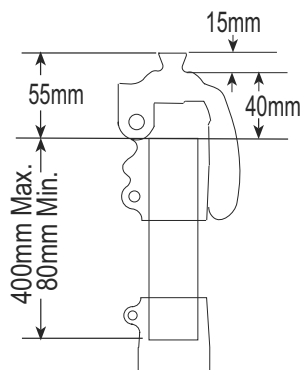
Thigh Release Kit (release lever only)	P239443
Thigh Release Cable	239243

Socket Adapters

P409049



Build Height

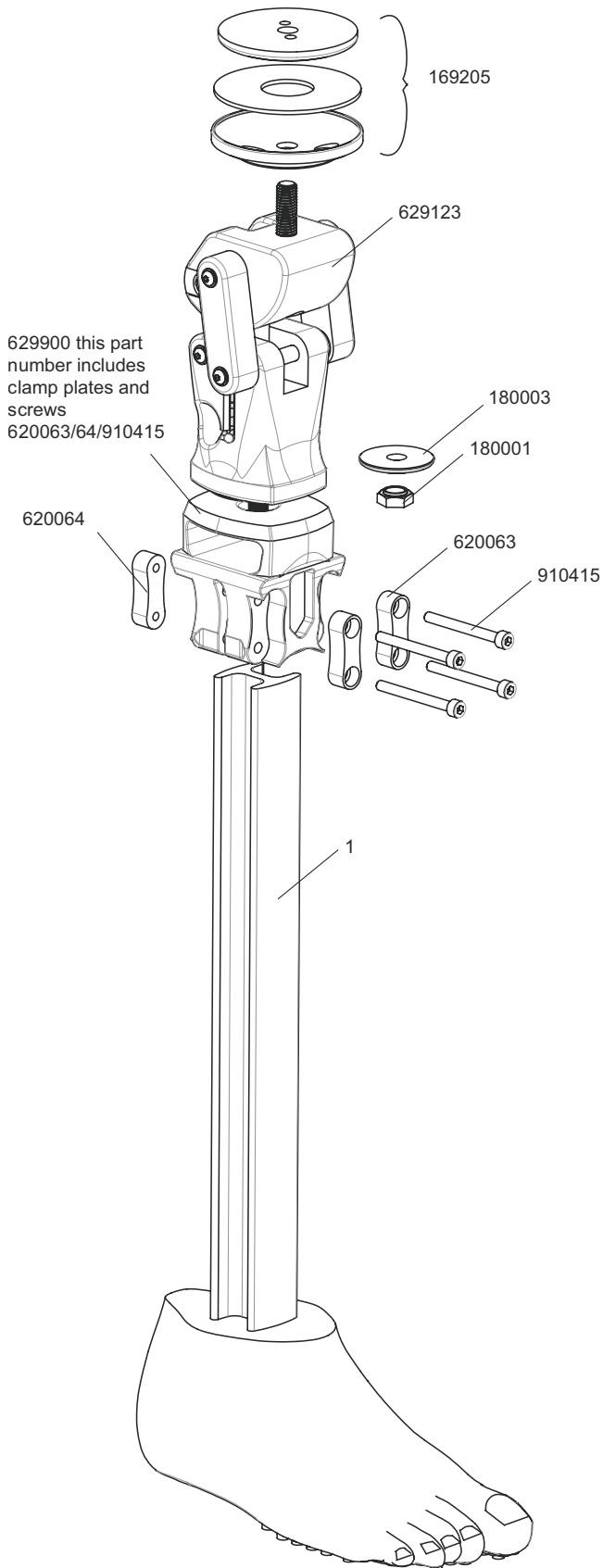


Aqualimb^{TF} Schematics

1. Foot Moulding:

Left	Part Number	Right	Part Number
22L	629049	22R	629050
23L	629051	23R	629052
24L	629053	24R	629054
25L	629055	25R	629056
26L	629057	26R	629058
27L	629059	27R	629060

Instructions for use: 938321



Build part numbers are for assembly guidance only and may not be for sale separately.

A waterproof prosthesis designed for use in the shower and wet environments.

Aqualimb^{TF}

Features

- Machined polycentric linkage designed knee to improve security
- Manual lock option to increase stability
- Rapid assembly
- Anti-slip tread pattern on sole

Specifications

Max. User Weight:	100kg
Activity Level:	1-2
Size Range:	22cm-27cm
Component Weight†:	2.0kg
Build Height:	400-585mm
Heel Height:	5mm

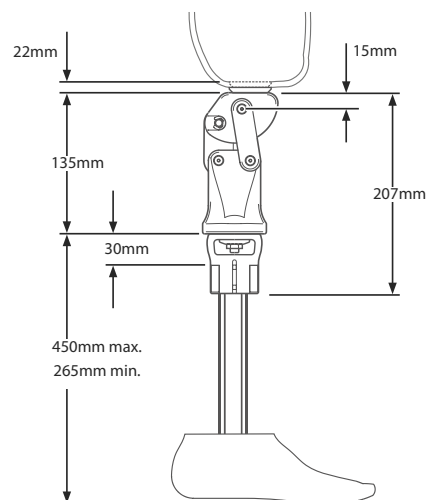


Order Example

Product Code	Size	Side
AQTF	25	L

Foot example: AqualimbTF, size 25 left.

Build Height





Feet and Ankles



Elan Schematics

1 Spring Kits:

Foot Size	Foot Size	Foot Size	Foot Size
22-24	25-26	27-28	29-30
Set 1 - 539801S	Set 1 - 539810S	Set 1 - 539819S	Set 1 - 539828S
Set 2 - 539802S	Set 2 - 539811S	Set 2 - 539820S	Set 2 - 539829S
Set 3 - 539803S	Set 3 - 539812S	Set 3 - 539821S	Set 3 - 539830S
Set 4 - 539804S	Set 4 - 539813S	Set 4 - 539822S	Set 4 - 539831S
Set 5 - 539805S	Set 5 - 539814S	Set 5 - 539823S	Set 5 - 539832S
Set 6 - 539806S	Set 6 - 539815S	Set 6 - 539824S	Set 6 - 539833S
Set 7 - 539807S	Set 7 - 539816S	Set 7 - 539825S	Set 7 - 539834S
Set 8 - 539808S	Set 8 - 539817S	Set 8 - 539826S	Set 8 - 539835S

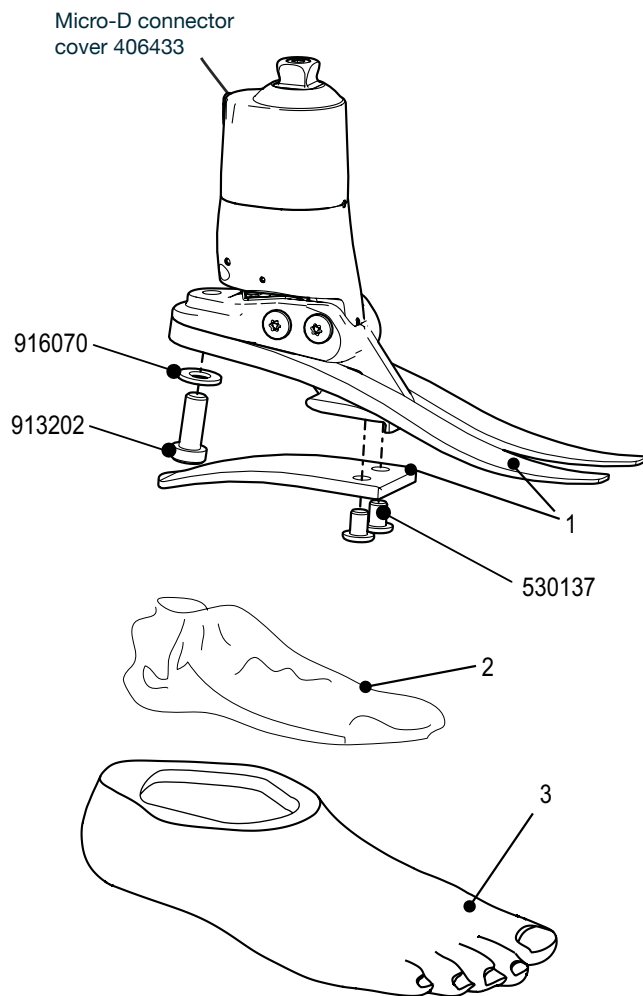
2 Glide Sock:

Size 22-26	531011
Size 27-30	532811

3 Foot Shells:*

Foot size Left/Right	Narrow	Wide
22L	539038S	-
22R	539039S	-
23L	539040S	-
23R	539041S	-
24L	539042S	-
24R	539043S	-
25L	539044SN	539044SW
25R	539045SN	539045SW
26L	539046SN	539046SW
26R	539047SN	539047SW
27L	539048SN	539048SW
27R	539049SN	539049SW
28L	539050SN	539050SW
28R	539051SN	539051SW
29L	-	539052S
29R	-	539053S
30L	-	539054S
30R	-	539055S

*For dark tone add suffix D



Bluetooth dongle	409093
Clinician's manual	938317S

Elan battery charger kit	409087E
--------------------------	---------

Includes:

Battery charger	950215
Battery charger adapter (UK)	950103
Battery charger adapter (USA)	950104
Battery charger adapter (EURO)	950105
Charger adapter cable	409091

Elan comms kit	406431E
----------------	---------

Includes:

External USB bluetooth adapter	950129
Comms cable (USB to TTL)	950928
Comms cable adapter	409078
Interface cable	
(micro D to comms cable adapter)	409084
Elan software USB fob	406413E

Build part numbers are for assembly guidance only and may not be for sale separately.

Microprocessor-controlled hydraulic ankle/foot for terrain response and speed control.

Élan

Features

- Microprocessor controlled self-aligning plantar flexion and dorsiflexion
- Standing support mode increases resistance when stationary to help improve balance, stability, reduce effort and encourage a more natural posture
- Variable response to speed changes
- Increased plantar flexion resistance allows for more energy storage and return when walking quickly or up slopes
- Ankle remains dorsiflexed during swing phase to increase toe clearance and reduce risk of trips and falls
- Batteries contained within ankle
- Increased dorsiflexion resistance provides a brake when walking down slopes for improved safety and stability
- Sandal Toe Foot Shell

Foot Shell and Glide Sock included.



Specifications

Max. User Weight:	125kg*
Activity Level:	(2), 3, (4**)
Size Range:	22cm-30cm
Component Weight:	920g†
Build Height:	170mm sizes 22-26 175mm sizes 27-30
Heel Height:	10mm

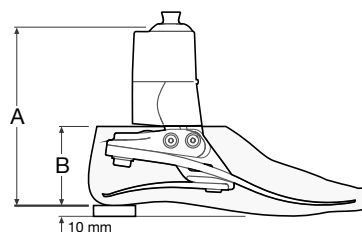


Order Example

Product Code	Size	Side	Width*	Spring Set	Sandal Toe
ELAN	25	L	N	3	S

*Narrow (N) and Wide (W) available for sizes 25-28 only. □
For dark tone add suffix D.
Example: foot size 25, left, narrow, spring rating 3, sandal toe.

Build Height



Sizes	A	B
22-26	170mm	65mm
27-28	175mm	70mm
29-30	175mm	75mm

Accessories

Alignment Wedge	940093	
Spare Battery Charger Kit	409087E	
Programming Tablet	019179	

Activity Level 2 and 4** users who would benefit from this foot will require softer or stiffer springs as appropriate for the individual. Refer to Instructions for Use for further information.

Spring set recommendations are for trans-tibial users. For trans-femoral we suggest selecting a spring set one level lower.

Activity
3

User Weight

44-52	53-59	60-68	69-77	78-88	89-100	101-116	117-125	kg
100-115	116-130	131-150	151-170	171-195	196-220	221-255	256-275	lbs

1	2	3	4	5	6	7	8	Spring set
---	---	---	---	---	---	---	---	------------



*For weights above 125kg up to 150kg contact a Blatchford representative.
**Maximum user weight 100 kg and always use one higher spring rate category than shown in Spring selection table.
†Component weight shown is for a size 26cm without foot shell.
□28N available Q1 2021.

Elan^{IC} Schematics

1 Spring Kits:

Foot Size	Foot Size	Foot Size	Foot Size
22-24	25-26	27-28	29-30
Set 1 - 539801S	Set 1 - 539810S	Set 1 - 539819S	Set 1 - 539828S
Set 2 - 539802S	Set 2 - 539811S	Set 2 - 539820S	Set 2 - 539829S
Set 3 - 539803S	Set 3 - 539812S	Set 3 - 539821S	Set 3 - 539830S
Set 4 - 539804S	Set 4 - 539813S	Set 4 - 539822S	Set 4 - 539831S
Set 5 - 539805S	Set 5 - 539814S	Set 5 - 539823S	Set 5 - 539832S
Set 6 - 539806S	Set 6 - 539815S	Set 6 - 539824S	Set 6 - 539833S
Set 7 - 539807S	Set 7 - 539816S	Set 7 - 539825S	Set 7 - 539834S
Set 8 - 539808S	Set 8 - 539817S	Set 8 - 539826S	Set 8 - 539835S

2 Glide Sock:

Size 22-26	531011
Size 27-30	532811

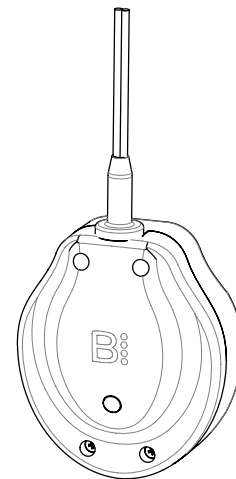
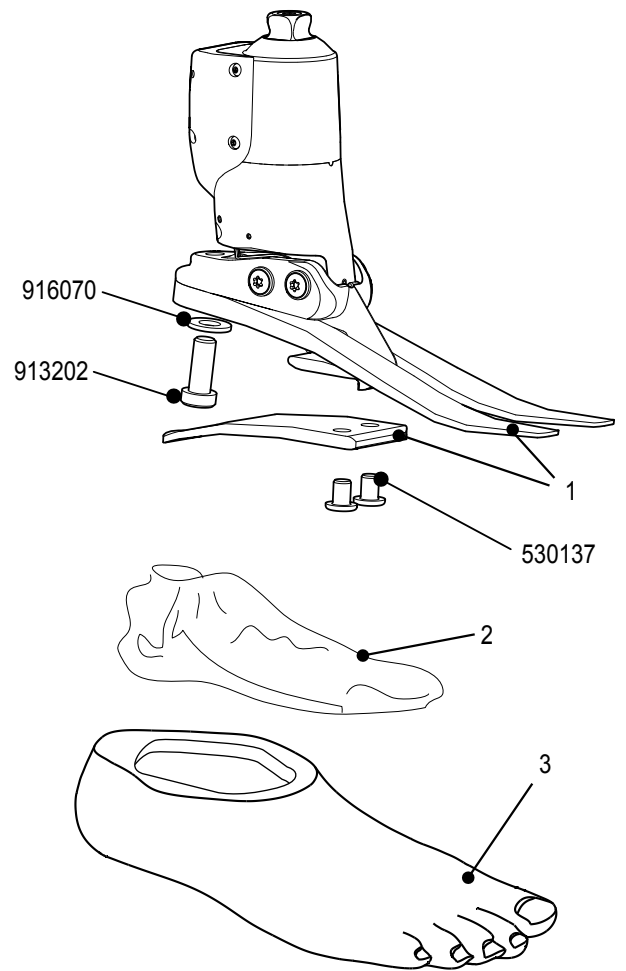
3 Foot Shells:*

Foot size Left/Right	Narrow	Wide
22L	539038S	-
22R	539039S	-
23L	539040S	-
23R	539041S	-
24L	539042S	-
24R	539043S	-
25L	539044SN	539044SW
25R	539045SN	539045SW
26L	539046SN	539046SW
26R	539047SN	539047SW
27L	539048SN	539048SW
27R	539049SN	539049SW
28L	539050SN	539050SW
28R	539051SN	539051SW
29L	-	539052S
29R	-	539053S
30L	-	539054S
30R	-	539055S

*For dark tone add suffix D

Battery Charger Adaptor - UK	950185
Battery Charger Adaptor - US	950184
Battery Charger Adaptor - Europe	950183
Battery Charger Adaptor - Australia	950186
External USB Bluetooth® Adaptor	950129
IC Battery Charger Kit	409087IC

Instructions for use	938438
----------------------	--------



Build part numbers are for assembly guidance only and may not be for sale separately.

Waterproof microprocessor controlled hydraulic ankle/foot for terrain response and speed control.

Elan^{IC}

Features

- Integrated Bluetooth®
- Clinician Programming App
- Microprocessor controlled plantar flexion and dorsiflexion
- Standing support mode increases resistance when stationary to help improve balance, stability, reduce effort and encourage a more natural posture
- Variable response to speed changes
- Increased plantar flexion resistance allows for more energy storage and return when walking quickly or up slopes
- Ankle dorsiflexion during the swing phase increases toe clearance and reduces the risk of trips and falls
- Increased dorsiflexion resistance provides a brake when walking down slopes for improved safety and stability
- Waterproof – IP67
- Induction charging
- Sandal Toe Foot Shell

Foot Shell and Glide Sock included.



Specifications

Max. User Weight:	125kg*
Activity Level:	(2), 3, (4**)
Size Range:	22cm-30cm
Component Weight:	1kg†
Build Height:	172mm sizes 22-26 177mm sizes 27-30
Heel Height:	10mm
Waterproof:	Rated to IP67

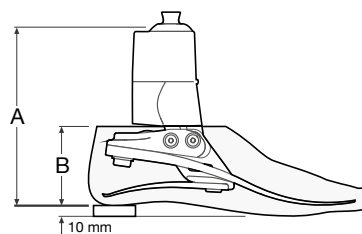


Order Example

Product Code	Size	Side	Width*	Spring Set	Sandal Toe
ELANIC	25	L	N	3	S


*Narrow (N) and Wide (W) available for sizes 25-28 only. □
For dark tone add suffix D.
Example: foot size 25, left, narrow, spring rating 3, sandal toe.

Build Height



Sizes	A	B
22-26	172mm	65mm
27-28	177mm	70mm
29-30	177mm	75mm

Accessories

Alignment Wedge	940093	
Inductive Battery Charger Kit	4090871C	
Programming Tablet	019179	

Activity Level 2 and 4** users who would benefit from this foot will require softer or stiffer springs as appropriate for the individual. Refer to Instructions for Use for further information.
Spring set recommendations are for trans-tibial users. For trans-femoral we suggest selecting a spring set one level lower.

Activity
3

User Weight

44-52	53-59	60-68	69-77	78-88	89-100	101-116	117-125	kg
100-115	116-130	131-150	151-170	171-195	196-220	221-255	256-275	lbs

1	2	3	4	5	6	7	8	Spring set
---	---	---	---	---	---	---	---	------------



*For weights above 125kg up to 150kg contact a Blatchford representative.
**Maximum user weight 100 kg and always use one higher spring rate category than shown in Spring selection table.
†Component weight shown is for a size 26cm without foot shell.
□28N available Q1 2021.

Echelon^{VAC} Schematics

1 Spring Kits:

Foot Size	Foot Size	Foot Size	Foot Size
22-24	25-26	27-28	29-30
Set 1 - 539801S	Set 1 - 539810S	Set 1 - 539819S	Set 1 - 539828S
Set 2 - 539802S	Set 2 - 539811S	Set 2 - 539820S	Set 2 - 539829S
Set 3 - 539803S	Set 3 - 539812S	Set 3 - 539821S	Set 3 - 539830S
Set 4 - 539804S	Set 4 - 539813S	Set 4 - 539822S	Set 4 - 539831S
Set 5 - 539805S	Set 5 - 539814S	Set 5 - 539823S	Set 5 - 539832S
Set 6 - 539806S	Set 6 - 539815S	Set 6 - 539824S	Set 6 - 539833S
Set 7 - 539807S	Set 7 - 539816S	Set 7 - 539825S	Set 7 - 539834S
Set 8 - 539808S	Set 8 - 539817S	Set 8 - 539826S	Set 8 - 539835S

2 Glide Sock:

Size 22-26	531011
Size 27-30	532811

3 Foot Shells:*

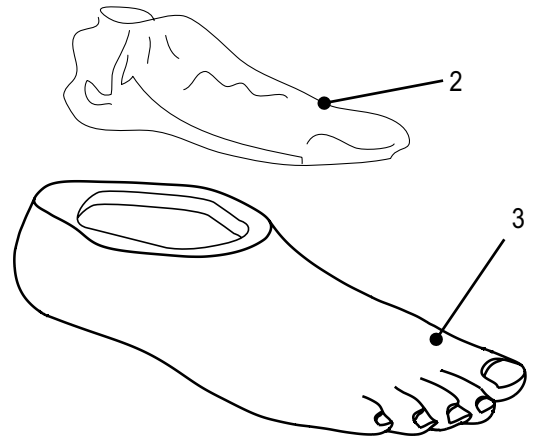
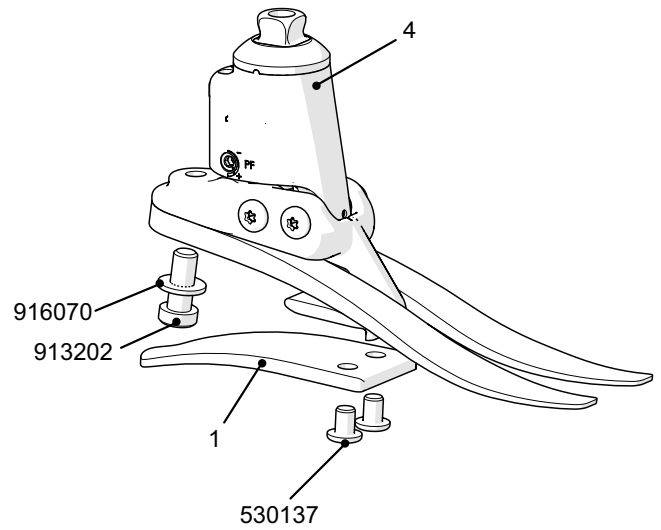
Foot size Left/Right	Narrow	Wide
22L	539038S	-
22R	539039S	-
23L	539040S	-
23R	539041S	-
24L	539042S	-
24R	539043S	-
25L	539044SN	539044SW
25R	539045SN	539045SW
26L	539046SN	539046SW
26R	539047SN	539047SW
27L	539048SN	539048SW
28L	539050SN	539050SW
28R	539051SN	539051SW
28R	-	539051S
29L	-	539052S
29R	-	539053S
30L	-	539054S
30R	-	539055S

*For dark tone add suffix D

4 Carrier Assembly

Size	
Small: 22-24	409263VAC
Medium: 25-26	409363VAC
Large: 27-30	409463VAC

Instructions for use 938367S



Hydraulic ankle technology paired with an elevated vacuum system for a secure and comfortable socket connection.

Echelon^{VAC}

Features

- Biomimetic Hydraulic Technology with integrated elevated vacuum
- Walking motion generates a natural vacuum
- No power required, quiet gentle operation
- Lightweight, compact design
- Low build height
- E-carbon springs for efficient energy return
- Split toe design for ground compliance on uneven terrain
- Sandal Toe Foot Shell

Foot Shell and Glide Sock included.



Specifications

Max. User Weight:	125kg
Activity Level:	(2), 3, (4*)
Size Range:	22-30cm
Component Weight:	700g [†]
Maximum Vacuum:	17" Hg
Build Height:	121mm sizes 22-24 126mm sizes 25-26 131mm sizes 27-30
Heel Height:	10mm



Order Example

Product Code	Size	Side	Width*	Spring Set	Sandal Toe
EVAC	25	L	N	3	S

*Narrow (N) and Wide (W) available for sizes 25-28 only. □
For dark tone add suffix D.
Example: foot size 25, left, narrow, spring rating 3, sandal toe.

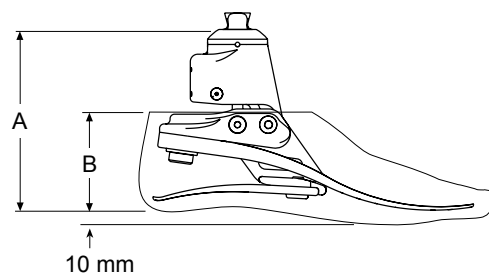
Accessories

Valves recommended for use with EchelonVAC can be found on page 120.

Alignment Wedge	940093
DF/PF Adjuster Key	940236
Socket Connection Kit	409663
Check Valve Service Kit	409863



Build Height



Size	A	Size	B
22-24	121 mm	22-26	65 mm
25-26	126 mm	27-28	70 mm
27-30	131 mm	29-30	75 mm

Activity Level 2 and 4* users who would benefit from this foot will require softer or stiffer springs as appropriate for the individual. Refer to Instructions for Use for further information.

Spring set recommendations are for trans-tibial users. For trans-femoral we suggest selecting a spring set one level lower.

Activity
3

User Weight

44-52	53-59	60-68	69-77	78-88	89-100	101-116	117-125	kg
100-115	116-130	131-150	151-170	171-195	196-220	221-255	256-275	lbs

1	2	3	4	5	6	7	8	Spring set
---	---	---	---	---	---	---	---	------------



*Maximum user weight 100 kg and always use one higher spring rate category than shown in Spring selection table.

[†]Component weight shown is for a size 26cm without foot shell.

[□]28N available Q1 2021.

Echelon^{VT} Schematics

1 Spring Kits:

Foot Size	Foot Size	Foot Size	Foot Size
22-24	25-26	27-28	29-30
Set 1 - 539801S	Set 1 - 539810S	Set 1 - 539819S	Set 1 - 539828S
Set 2 - 539802S	Set 2 - 539811S	Set 2 - 539820S	Set 2 - 539829S
Set 3 - 539803S	Set 3 - 539812S	Set 3 - 539821S	Set 3 - 539830S
Set 4 - 539804S	Set 4 - 539813S	Set 4 - 539822S	Set 4 - 539831S
Set 5 - 539805S	Set 5 - 539814S	Set 5 - 539823S	Set 5 - 539832S
Set 6 - 539806S	Set 6 - 539815S	Set 6 - 539824S	Set 6 - 539833S
Set 7 - 539807S	Set 7 - 539816S	Set 7 - 539825S	Set 7 - 539834S
Set 8 - 539808S	Set 8 - 539817S	Set 8 - 539826S	Set 8 - 539835S

2 Glide Sock:

Size 22-26	531011
Size 27-30	532811

3 Foot Shells:*

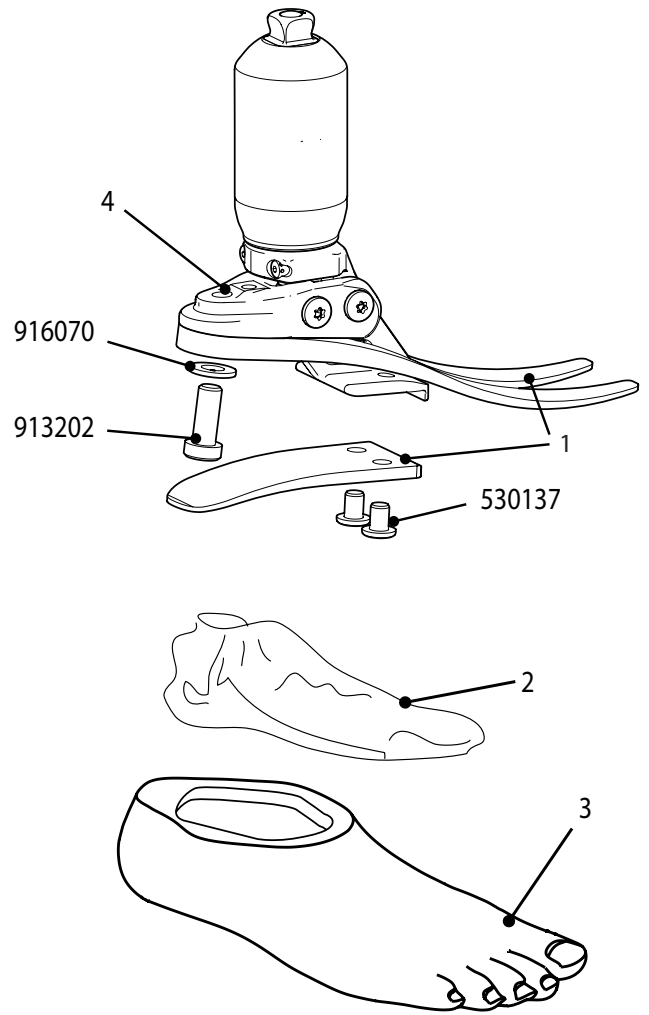
Foot size Left/Right	Narrow	Wide
22L	539038S	-
22R	539039S	-
23L	539040S	-
23R	539041S	-
24L	539042S	-
24R	539043S	-
25L	539044SN	539044SW
25R	539045SN	539045SW
26L	539046SN	539046SW
26R	539047SN	539047SW
27L	539048SN	539048SW
27R	539049SN	539049SW
28L	539050SN	539050SW
28R	539051SN	539051SW
29L	-	539052S
29R	-	539053S
30L	-	539054S
30R	-	539055S

*For dark tone add suffix D

4 Carrier assembly

Size	Rate			
	1	2	3	4
Small: 22, 23 & 24	539062	539063	539064	539065
Medium: 25 & 26	539066	539067	539068	539069
Large: 27 to 30	539070	539071	539072	539073

Instructions for use 938315S



Biomimetic hydraulic ankle/foot with shock absorber, rotation and split toe for terrain conformance.

Echelon^{VT}

Features

- Hydraulic control of dorsiflexion and plantar flexion
- Dorsi-flexed toe for swing phase
- Rotation and vertical shock absorption
- Tripod action for conformance and vertical compliance
- Smooth hydraulic and spring action
- Slimline foot design
- Responsive e-carbon foot springs
- Sandal Toe Foot Shell

Foot Shell and Glide Sock included.



Specifications

Max. Amputee weight:	125kg
Activity Level:	(2), 3, (4*)
Size Range:	22cm-30cm
Component Weight:	855g†
Build Height:	168mm sizes 22-24 173mm sizes 25-26 178mm sizes 27-30
Heel Height:	10mm



Order Example

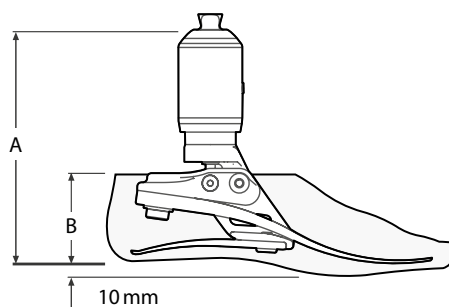
Product Code	Size	Side	Width*	Spring Set	Axial Spring	Sandal Toe
ECVT	25	L	N	5	3	S

*Narrow (N) and Wide (W) available for sizes 25-28 only.‡
For dark tone add suffix D.
Example: foot size 25, left, narrow, spring rating 5, axial spring 3, sandal toe

Accessories

Alignment Wedge	940093	
Foot Shell Cover	539096	

Build Height



Size	A	Size	B
22-24	168 mm	22-26	65 mm
25-26	173 mm	27-28	70 mm
27-30	178 mm	29-30	75 mm

Activity Level 2 and 4* users who would benefit from this foot will require softer or stiffer springs as appropriate for the individual.

Spring set recommendations are for trans-tibial users. For trans-femoral we suggest selecting a spring set one level lower.

Activity	User Weight								Foot spring set
	44-52	53-59	60-68	69-77	78-88	89-100	101-116	117-125	
	100-115	116-130	131-150	151-170	171-195	196-220	221-255	256-275	kg
3	1	2	3	4	5	6	7	8	lbs
		•		••		•••		••••	
	1		2		3		4		

◀ Axial shock spring rate indicated as shown
◀ Axial spring

*Maximum user weight 100 kg and always use one higher spring rate category than shown in Spring selection table.

†Component weight shown is for a size 26cm without foot shell.

‡28N available Q1 2021.



Echelon

1 Spring Kits

Foot Size	Foot size	Foot size	Foot size
22-24	25-26	27-28	29-30
Set 1 - 539801S	Set 1 - 539810S	Set 1 - 539819S	Set 1 - 539828S
Set 2 - 539802S	Set 2 - 539811S	Set 2 - 539820S	Set 2 - 539829S
Set 3 - 539803S	Set 3 - 539812S	Set 3 - 539821S	Set 3 - 539830S
Set 4 - 539804S	Set 4 - 539813S	Set 4 - 539822S	Set 4 - 539831S
Set 5 - 539805S	Set 5 - 539814S	Set 5 - 539823S	Set 5 - 539832S
Set 6 - 539806S	Set 6 - 539815S	Set 6 - 539824S	Set 6 - 539833S
Set 7 - 539807S	Set 7 - 539816S	Set 7 - 539825S	Set 7 - 539834S
Set 8 - 539808S	Set 8 - 539817S	Set 8 - 539826S	Set 8 - 539835S

2 Glide Sock:

Size 22-26	531011
Size 27-30	532811

3 Foot Shells:*

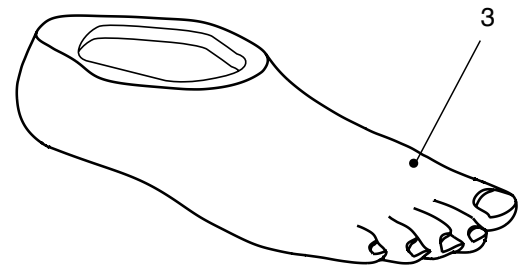
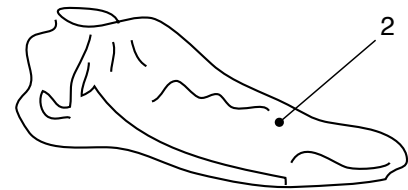
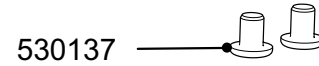
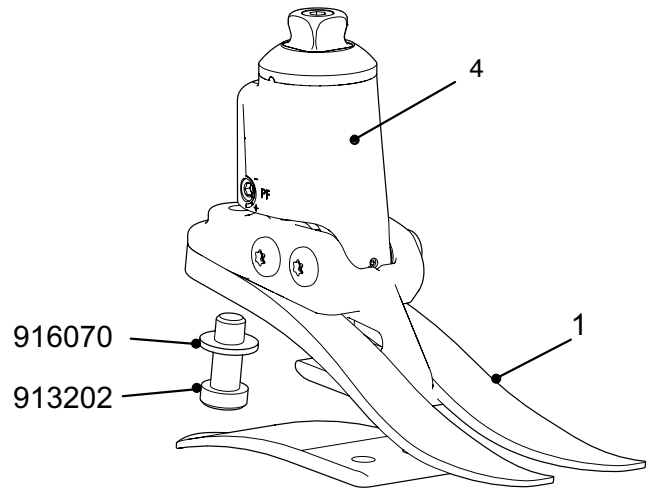
Foot size Left/Right	Narrow	Wide
22L	539038S	-
22R	539039S	-
23L	539040S	-
23R	539041S	-
24L	539042S	-
24R	539043S	-
25L	539044SN	539044SW
25R	539045SN	539045SW
26L	539046SN	539046SW
26R	539047SN	539047SW
27L	539048SN	539048SW
27R	539049SN	539049SW
28L	539050SN	539050SW
28R	539051SN	539051SW
29L	-	539052S
29R	-	539053S
30L	-	539054S
30R	-	539055S

*For dark tone add suffix D

4 Carrier Assembly:

Small 22-24	409263
Medium 25-26	409363
Large 27-30	409463

Instructions for use 938280S



Biomimetic hydraulic ankle control and split toe for stability on uneven or sloping terrain.

Echelon

Features

- Independent hydraulic control of plantar and dorsiflexion
- Biomimetic design simulates natural ankle motion
- Toe up for swing through clearance
- Natural toe position for sitting
- e-carbon heel and toe springs
- Elegant and compact for cosmetic finish
- Sandal Toe Foot Shell

Foot Shell and Glide Sock included.



Specifications

Max. User Weight:	125kg
Activity Level:	(2), 3, (4*)
Size Range:	22cm-30cm
Component Weight:	688g†
Build Height:	115mm sizes 22-24 120mm sizes 25-26 125mm sizes 27-30
Heel Height:	10mm



Order Example

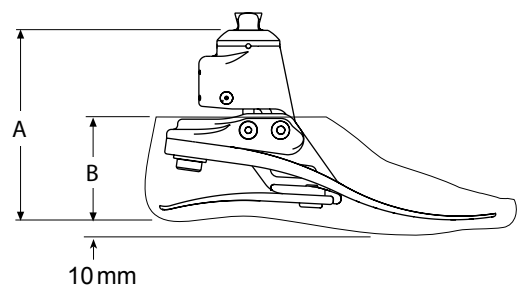
Product Code	Size	Side	Width*	Spring Set	Sandal Toe
EC	25	L	N	3	S

*Narrow (N) and Wide (W) available for sizes 25-28 only.□
For dark tone add suffix D.
Example: foot size 25, left, narrow, spring rating 3, sandal toe.

Accessories

Alignment Wedge **940093**

Build Height



Size	A	Size	B
22-24	115mm	22-26	65mm
25-26	120mm	27-28	70mm
27-30	125mm	29-30	75mm

Activity Level 2 and 4* users who would benefit from this foot will require softer or stiffer springs as appropriate for the individual. Refer to Instructions for Use for further information. Spring set recommendations are for trans-tibial users. For trans-femoral we suggest selecting a spring set one level lower.

Activity
3

User Weight

44-52	53-59	60-68	69-77	78-88	89-100	101-116	117-125	kg
100-115	116-130	131-150	151-170	171-195	196-220	221-255	256-275	lbs

1	2	3	4	5	6	7	8
---	---	---	---	---	---	---	---

Spring set

*Maximum user weight 100kg and always use one higher spring rate category than shown in the Spring Set Selection table.

†Component weight shown is for a size 26cm without foot shell.

□28N available Q1 2021.



Echelon^{ER} Schematics

1 Spring Kits:

Foot Size	Foot Size	Foot Size	Foot Size
22-24	25-26	27-28	29-30
Set 1 - 539801S	Set 1 - 539810S	Set 1 - 539819S	Set 1 - 539828S
Set 2 - 539802S	Set 2 - 539811S	Set 2 - 539820S	Set 2 - 539829S
Set 3 - 539803S	Set 3 - 539812S	Set 3 - 539821S	Set 3 - 539830S
Set 4 - 539804S	Set 4 - 539813S	Set 4 - 539822S	Set 4 - 539831S
Set 5 - 539805S	Set 5 - 539814S	Set 5 - 539823S	Set 5 - 539832S
Set 6 - 539806S	Set 6 - 539815S	Set 6 - 539824S	Set 6 - 539833S
Set 7 - 539807S	Set 7 - 539816S	Set 7 - 539825S	Set 7 - 539834S
Set 8 - 539808S	Set 8 - 539817S	Set 8 - 539826S	Set 8 - 539835S

2 Glide Sock:

Size 22-26	531011
Size 27-30	532811

3 Foot Shells:*

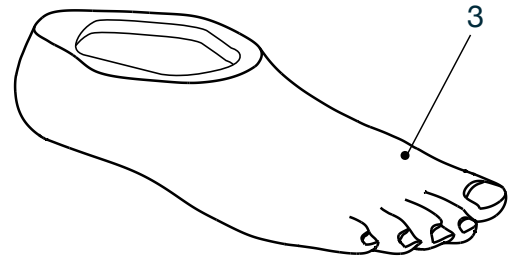
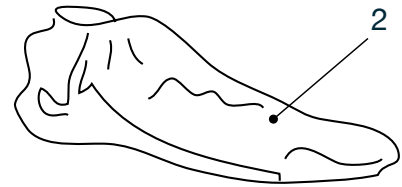
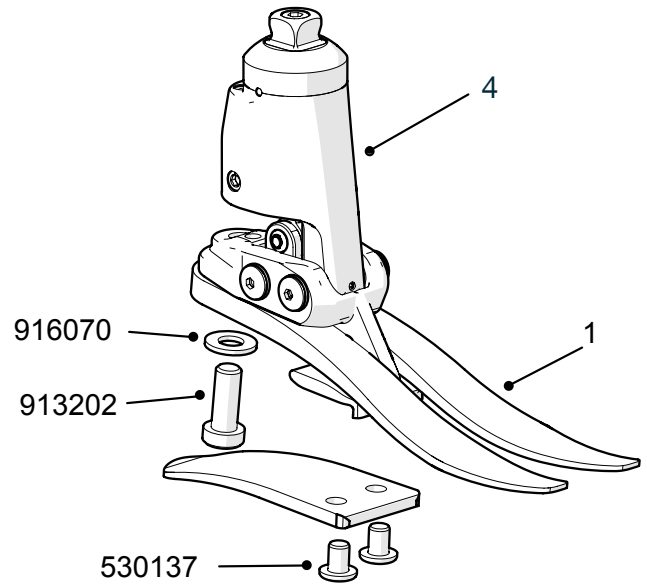
Foot size Left/Right	Narrow	Wide
22L	539038S	-
22R	539039S	-
23L	539040S	-
23R	539041S	-
24L	539042S	-
24R	539043S	-
25L	539044SN	539044SW
25R	539045SN	539045SW
26L	539046SN	539046SW
26R	539047SN	539047SW
27L	539048SN	539048SW
27R	539049SN	539049SW
28L	539050SN	539050SW
28R	539051SN	539051SW
29L	-	539052S
29R	-	539053S
30L	-	539054S
30R	-	539055S

*For dark tone add suffix D

4 Carrier Assembly

Small 22-24	409263ER
Medium 25-26	409363ER
Large 27-30	409463ER

Echelon^{ER} Instructions for Use 938449



Biomimetic hydraulic ankle with an extended range of ankle movement for increased stability on uneven and sloping terrain.

Echelon^{ER}

Features

- Unique and proven Echelon Technology
- Increased range of movement – 25° compared to Echelon’s 9°
- Improved flexibility of footwear choice and the option of barefoot walking
- More natural and comfortable sitting position
- Robust and waterproof design
- Easier and more stable standing and sitting
- Specially designed pyramid interface to allow water to escape from within the tube
- Sandal Toe Foot Shell

Foot Shell and Glide Sock included.

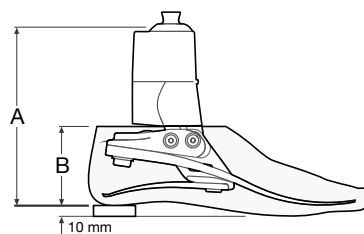


Specifications

Max. User Weight:	125kg*
Activity Level:	(2), 3, (4**)
Size Range:	22cm-30cm
Component Weight:	770g†
Build Height:	142mm sizes 22-24 147mm sizes 25-26 152mm sizes 27-30
Heel Height:	10mm



Build Height



	Size A	Size B
22-24	142mm	22-26 65mm
25-26	147mm	27-28 70mm
27-30	152mm	29-30 75mm

Order Example

Product Code	Size	Side	Width*	Spring Set	Sandal Toe
ECER	25	L	N	3	S

*Narrow (N) and Wide (W) available for sizes 25-28 only. □
For dark tone add suffix D.
Example: foot size 25, left, narrow, spring rating 3, sandal toe.

Accessories

Instructions for Use	938449	
User Guide	938450	
Alignment Wedge	940093	
DF/PF Adjuster Key	940236	

Activity Level 2 and 4** users who would benefit from this foot will require softer or stiffer springs as appropriate for the individual. Refer to Instructions for Use for further information.
Spring set recommendations are for trans-tibial users. For trans-femoral we suggest selecting a spring set one level lower.

Activity
3

User Weight

44-52	53-59	60-68	69-77	78-88	89-100	101-116	117-125	kg
100-115	116-130	131-150	151-170	171-195	196-220	221-255	256-275	lbs

1	2	3	4	5	6	7	8	Spring set
---	---	---	---	---	---	---	---	------------



*For weights above 125kg up to 150kg contact a Blatchford representative.
**Maximum user weight 100 kg and always use one higher spring rate category than shown in Spring selection table.
†Component weight shown is for a size 26cm without foot shell.
□28N available Q1 2021.

Elite² Schematics

1 Spring Kits

Foot Size	Foot Size	Foot Size	Foot Size
22-24	25-26	27-28	29-30
Set 1 - 539701S	Set 1 - 539710S	Set 1 - 539719S	Set 1 - Special
Set 2 - 539702S	Set 2 - 539711S	Set 2 - 539720S	Set 2 - Order only
Set 3 - 539703S	Set 3 - 539712S	Set 3 - 539721S	Set 3 - 539730S
Set 4 - 539704S	Set 4 - 539713S	Set 4 - 539722S	Set 4 - 539731S
Set 5 - 539705S	Set 5 - 539714S	Set 5 - 539723S	Set 5 - 539732S
Set 6 - 539706S	Set 6 - 539715S	Set 6 - 539724S	Set 6 - 539733S
Set 7 - 539707S	Set 7 - 539716S	Set 7 - 539725S	Set 7 - 539734S
Set 8 - 539708S	Set 8 - 539717S	Set 8 - 539726S	Set 8 - 539735S
Set 9 - -	Set 9 - 539718S	Set 9 - 539727S	Set 9 - 539736S

2 Glide Sock

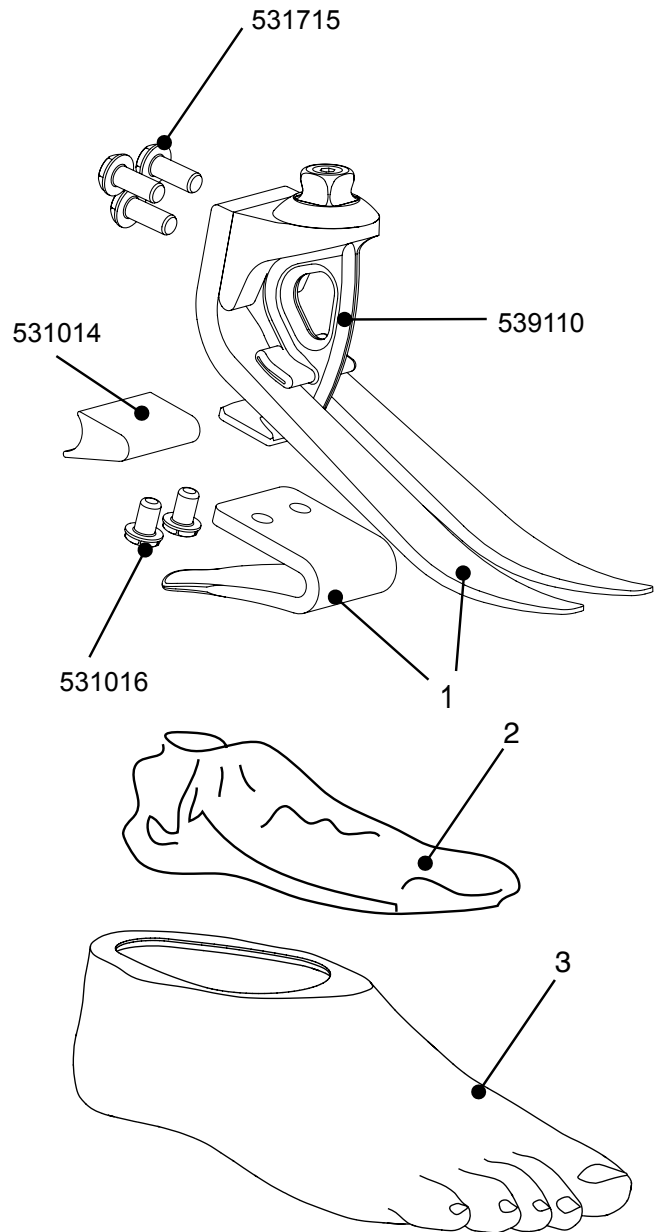
Size 22-26	531011
Size 27-30	532811

3 Foot Shells:*

Foot size Left/Right	Narrow	Wide
22L	539038S	-
22R	539039S	-
23L	539040S	-
23R	539041S	-
24L	539042S	-
24R	539043S	-
25L	539044SN	539044SW
25R	539045SN	539045SW
26L	539046SN	539046SW
26R	539047SN	539047SW
27L	539048SN	539048SW
27R	539049SN	539049SW
28L	539050SN	539050SW
28R	539051SN	539051SW
29L	-	539052S
29R	-	539053S
30L	-	539054S
30R	-	539055S

*For dark tone add suffix D

Instructions for use 938223S



Lightweight activity foot for efficient energy return.

Elite²

Features

- Enhanced e-carbon foot springs
- Ground compliance from Tripod System™
- Split toe
- Lightweight design
- Variable spring stiffness heel wedge
- Low build height and easy to finish
- Sandal Toe Foot shell

Foot Shell and Glide Sock included.



Specifications

Max. User Weight:	166kg
Activity Level:	(2), 3, 4
Size Range:	22cm-30cm
Component Weight:	420g†
Build Height:	130mm
Heel Height:	10mm



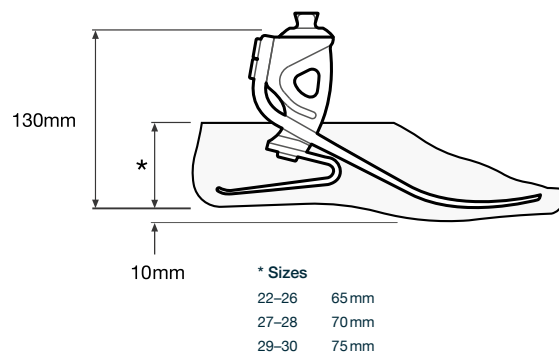
Suitable for submersion

Order Example

Product Code	Size	Side	Width*	Spring Set	Sandal Toe
EL	25	L	N	5	S

*Narrow (N) and Wide (W) available for sizes 25-28 only.□
For dark tone add suffix D. Foot example: Elite2, size 25, left, narrow, spring rating 5, sandal toe.

Build Height



Impact	Activity	User Weight										Foot spring set
		44-52	53-59	60-68	69-77	78-88	89-100	101-116	117-130	131-147	148-166 kg	
Low	3	1	1	2	3	4	5	6	7	8	9	
Mod	4	1	2	3	4	5	6	7	8	9	-	
High	4	2	3	4	5	6	7	8	9	-	-	

Spring set recommendations are for trans-tibial users. For trans-femoral use we suggest selecting a spring set one level lower.

†Component weight shown is for a size 26cm without foot shell.
□28N available Q1 2021.

Elite^{VT} Schematics

1 Spring Kits

Foot Size	Foot Size	Foot Size	Foot Size
22-24	25-26	27-28	29-30
Set 1 - 539701S	Set 1 - 539710S	Set 1 - 539719S	Set 1 - Special
Set 2 - 539702S	Set 2 - 539711S	Set 2 - 539720S	Set 2 - Order only
Set 3 - 539703S	Set 3 - 539712S	Set 3 - 539721S	Set 3 - 539730S
Set 4 - 539704S	Set 4 - 539713S	Set 4 - 539722S	Set 4 - 539731S
Set 5 - 539705S	Set 5 - 539714S	Set 5 - 539723S	Set 5 - 539732S
Set 6 - 539706S	Set 6 - 539715S	Set 6 - 539724S	Set 6 - 539733S
Set 7 - 539707S	Set 7 - 539716S	Set 7 - 539725S	Set 7 - 539734S
Set 8 - 539708S	Set 8 - 539717S	Set 8 - 539726S	Set 8 - 539735S
Set 9 - -	Set 9 - 539718S	Set 9 - 539727S	Set 9 - 539736S

2 Glide Sock

Size 22-26	531011
Size 27-30	532811

3 Foot Shells:*

Foot size	Left/Right	Narrow	Wide
22L	539038S	-	
22R	539039S	-	
23L	539040S	-	
23R	539041S	-	
24L	539042S	-	
24R	539043S	-	
25L	539044SN	539044SW	
25R	539045SN	539045SW	
26L	539046SN	539046SW	
26R	539047SN	539047SW	
27L	539048SN	539048SW	
27R	539049SN	539049SW	
28L	539050SN	539050SW	
28R	539051SN	539051SW	
29L	-	539052S	
29R	-	539053S	
30L	-	539054S	
30R	-	539055S	

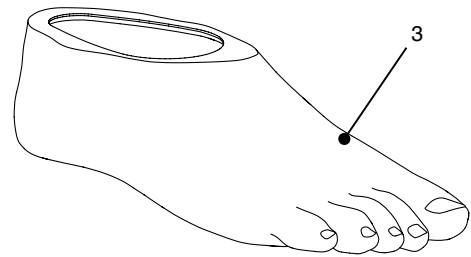
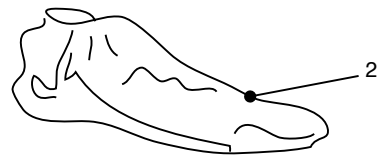
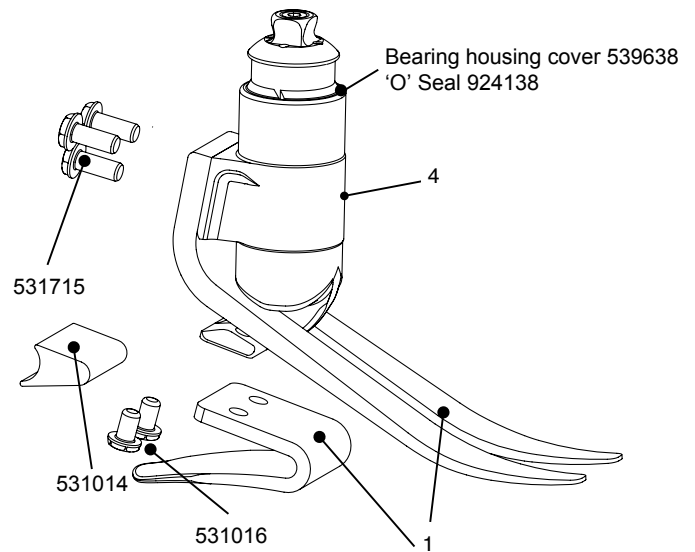
*For dark tone add suffix D

4 Carrier assembly

Axial Shock Springs (not shown)

Rate 1 - 539138	Rate 1 - 539058
Rate 2 - 539238	Rate 2 - 539059
Rate 3 - 539338	Rate 3 - 539060
Rate 4 - 539438	Rate 4 - 539061

Instructions for use 938289S



Active foot with integral shock absorption, rotation and flexibility.

Elite^{VT}

Features

- Precision titanium spring for vertical compression and axial rotation
- Progressive response to axial loading
- Controlled and efficient energy return
- Independent e-carbon foot springs
- Variable spring stiffness heel wedge
- Compact, low maintenance and cosmetic
- Sandal Toe Foot shell

Foot Shell and Glide Sock included.



Specifications

Max. User Weight:	166kg
Activity Level:	3-4
Max. Rotation:	+/-15deg
Size Range:	22cm-30cm
Component Weight:	750g [†]
Build Height:	170mm
Heel Height:	10mm



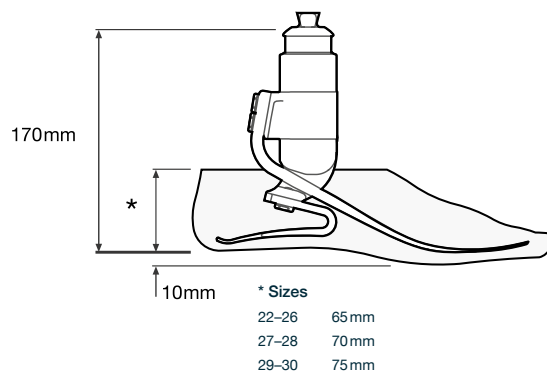
Suitable for outdoor use

Order Example

Product Code	Size	Side	Width*	Spring Set	Shock Spring	Sandal Toe
EVT	25	L	N	7	3	S

*Narrow (N) and Wide (W) available for sizes 25-28 only.[□]
 For dark tone add suffix D. Foot example: EliteVT, size 25, left, narrow, spring set 7, shock spring 3, sandal toe.

Build Height



Impact Activity	User Weight										Foot spring set
	44-52 100-115	53-59 116-130	60-68 131-150	69-77 151-170	78-88 171-195	89-100 196-220	101-116 221-255	117-130 256-285	131-147 286-325	148-166 326-365	
Low 3	1	1	2	3	4	5	6	7	8	9	
Mod 4	1	2	3	4	5	6	7	8	9	-	
High 4	2	3	4	5	6	7	8	9	-	-	
Spring set recommendations are for trans-tibial users. For trans-femoral use we suggest selecting a spring set one level lower.	♣ 1	♣ 2	♣ 3	♣ 4	♣ 3	♣ 4	♣ 4	♣ 4	♣ 4	♣ 4	♣ 4

[†]Component weight shown is for a size 26cm without foot shell.
[□]28N available Q1 2021.



Epirus Schematics

1 Spring Kits

Foot Size	Foot Size	Foot Size	Foot Size
22-24	25-26	27-28	29-30
Set 1 - 539801S	Set 1 - 539810S	Set 1 - 539819S	Set 1 - 539828S
Set 2 - 539802S	Set 2 - 539811S	Set 2 - 539820S	Set 2 - 539829S
Set 3 - 539803S	Set 3 - 539812S	Set 3 - 539821S	Set 3 - 539830S
Set 4 - 539804S	Set 4 - 539813S	Set 4 - 539822S	Set 4 - 539831S
Set 5 - 539805S	Set 5 - 539814S	Set 5 - 539823S	Set 5 - 539832S
Set 6 - 539806S	Set 6 - 539815S	Set 6 - 539824S	Set 6 - 539833S
Set 7 - 539807S	Set 7 - 539816S	Set 7 - 539825S	Set 7 - 539834S
Set 8 - 539808S	Set 8 - 539817S	Set 8 - 539826S	Set 8 - 539835S

2 Glide Sock

Sizes 22 to 26	531011
Sizes 27 to 30	532811

3 Foot Shells:*

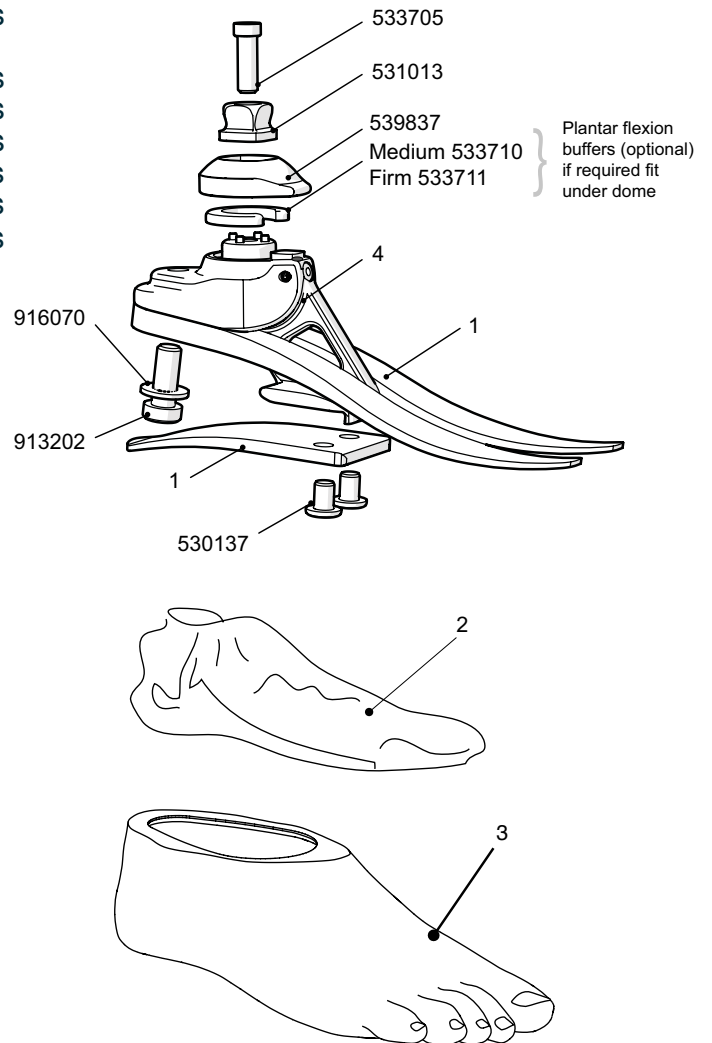
Foot size Left/Right	Narrow	Wide
22L	539038S	-
22R	539039S	-
23L	539040S	-
23R	539041S	-
24L	539042S	-
24R	539043S	-
25L	539044SN	539044SW
25R	539045SN	539045SW
26L	539046SN	539046SW
26R	539047SN	539047SW
27L	539048SN	539048SW
27R	539049SN	539049SW
28L	539050SN	539050SW
28R	539051SN	539051SW
29L	-	539052S
29R	-	539053S
30L	-	539054S
30R	-	539055S

*For dark tone add suffix D

4 Carrier Assembly

Small 22-24	539437
Medium 25-26	539537
Large 27-30	539637

Instructions for use 938276S



Build part numbers are for assembly guidance only and may not be for sale separately.

Low profile foot with ankle joint and split toe.

Epirus

Features

- Multi-axial ankle motion with tripod stability
- Independent e-carbon foot springs
- Choice of PF stiffness
- Ground compliance and energy efficient response
- Sandal Toe Foot Shell

Foot Shell and Glide Sock included.



Specifications

Max. User Weight:	125kg
Activity Level:	(2), 3, (4*)
Size Range:	22cm-30cm
Component Weight:	400g [†]
Build Height:	85mm
Heel Height:	10mm



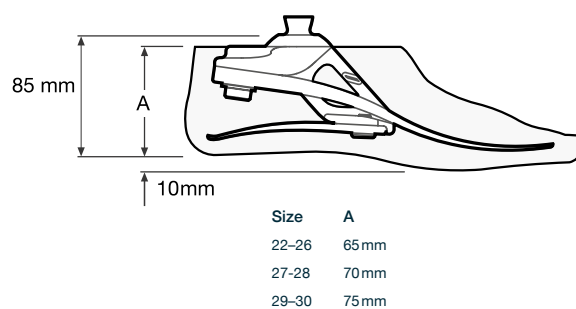
Suitable for outdoor use

Order Example

Product Code	Size	Side	Width*	Spring Set	Sandal Toe
EP	25	L	N	3	S

*Narrow (N) and Wide (W) available for sizes 25-28 only.[□]
 For dark tone add suffix D.
 Example: foot size 25, left, narrow, spring rating 3, sandal toe.

Build Height



Activity Level 2 and 4* users who would benefit from this foot will require softer or stiffer springs as appropriate for the individual. Refer to Instructions for Use for further information. Spring set recommendations are for trans-tibial users. For trans-femoral we suggest selecting a spring set one level lower.

Activity
3

User Weight

44-52	53-59	60-68	69-77	78-88	89-100	101-116	117-125	kg
100-115	116-130	131-150	151-170	171-195	196-220	221-255	256-275	lbs

1	2	3	4	5	6	7	8
---	---	---	---	---	---	---	---

Spring set



*Maximum user weight 100kg and always use one higher spring rate category than shown in the Spring Set Selection table.

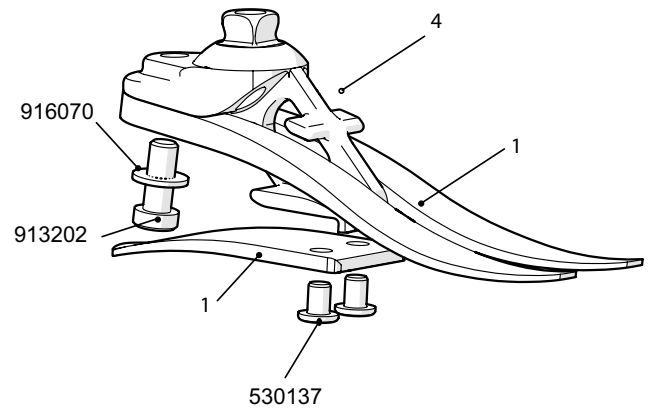
[†]Component weight shown is for a size 26cm without foot shell.

[□]28N available Q1 2021.

Esprit Schematics

1 Spring Kits

Foot Size	Foot Size	Foot Size	Foot Size
22-24	25-26	27-28	29-30
Set 1 - 539801S	Set 1 - 539810S	Set 1 - 539819S	Set 1 - 539828S
Set 2 - 539802S	Set 2 - 539811S	Set 2 - 539820S	Set 2 - 539829S
Set 3 - 539803S	Set 3 - 539812S	Set 3 - 539821S	Set 3 - 539830S
Set 4 - 539804S	Set 4 - 539813S	Set 4 - 539822S	Set 4 - 539831S
Set 5 - 539805S	Set 5 - 539814S	Set 5 - 539823S	Set 5 - 539832S
Set 6 - 539806S	Set 6 - 539815S	Set 6 - 539824S	Set 6 - 539833S
Set 7 - 539807S	Set 7 - 539816S	Set 7 - 539825S	Set 7 - 539834S
Set 8 - 539808S	Set 8 - 539817S	Set 8 - 539826S	Set 8 - 539835S



2 Glide Sock

Sizes 22 to 26	531011
Sizes 27 to 30	532811

3 Foot Shells:*

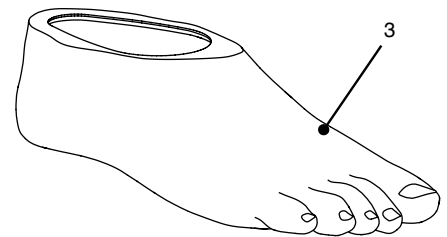
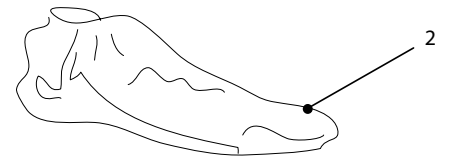
Foot size Left/Right	Narrow	Wide
22L	539038S	-
22R	539039S	-
23L	539040S	-
23R	539041S	-
24L	539042S	-
24R	539043S	-
25L	539044SN	539044SW
25R	539045SN	539045SW
26L	539046SN	539046SW
26R	539047SN	539047SW
27L	539048SN	539048SW
27R	539049SN	539049SW
28L	539050SN	539050SW
28R	539051SN	539051SW
29L	-	539052S
29R	-	539053S
30L	-	539054S
30R	-	539055S

*For dark tone add suffix D

4 Carrier Assembly

Small 22-24	539201
Medium 25-26	539210
Large 27-30	539219

Instructions for use 938264S



Low profile foot with split toe springs for energy response.

Esprit

Features

- Low profile foot with e-carbon springs
- Lightweight and easy to finish
- Tripod design with split toe
- Ideal for longer residual limbs or where additional components are required
- Sandal Toe Foot Shell

Foot Shell and Glide Sock included.



Specifications

Max. User Weight:	125kg
Activity Level:	(2), 3, (4*)
Size Range:	22cm-30cm
Component Weight:	317g†
Build Height:	65mm size 22-24 70mm size 25-26 75mm size 27-30
Heel Height:	10mm



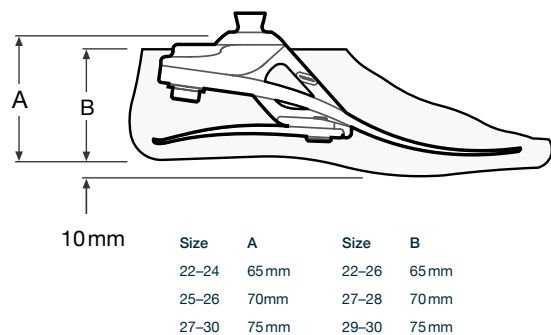
Suitable for submersion

Order Example

Product Code	Size	Side	Width*	Spring Set	Sandal Toe
ESP	25	L	N	3	S

*Narrow (N) and Wide (W) available for sizes 25-28 only.□
For dark tone add suffix D.
Example: foot size 25, left, narrow, spring rating 3, sandal toe.

Build Height



Activity Level 2 and 4* users who would benefit from this foot will require softer or stiffer springs as appropriate for the individual. Refer to Instructions for Use for further information. Spring set recommendations are for trans-tibial users. For trans-femoral we suggest selecting a spring set one level lower.

Activity
3

User Weight

44-52	53-59	60-68	69-77	78-88	89-100	101-116	117-125	kg
100-115	116-130	131-150	151-170	171-195	196-220	221-255	256-275	lbs

1 2 3 4 5 6 7 8

Spring set



†Component weight shown is for a size 26cm without foot shell.

*Maximum user weight 100kg and always use one higher spring rate category than shown in the Spring Set Selection table.

□28N available Q1 2021.

Elite Blade Schematics

1 Spring Kits

Foot Size	Foot Size	Foot Size	Foot Size
22-24	25-26	27-28	29-30
Set 1 - 539701S	Set 1 - 539710S	Set 1 - 539719S	Set 1 - Special
Set 2 - 539702S	Set 2 - 539711S	Set 2 - 539720S	Set 2 - Order only
Set 3 - 539703S	Set 3 - 539712S	Set 3 - 539721S	Set 3 - 539730S
Set 4 - 539704S	Set 4 - 539713S	Set 4 - 539722S	Set 4 - 539731S
Set 5 - 539705S	Set 5 - 539714S	Set 5 - 539723S	Set 5 - 539732S
Set 6 - 539706S	Set 6 - 539715S	Set 6 - 539724S	Set 6 - 539733S
Set 7 - 539707S	Set 7 - 539716S	Set 7 - 539725S	Set 7 - 539734S
Set 8 - 539708S	Set 8 - 539717S	Set 8 - 539726S	Set 8 - 539735S
Set 9 - -	Set 9 - 539718S	Set 9 - 539727S	Set 9 - 539736S

2 Glide Sock

Size 22-26	531011
Size 27-30	532811

3 Foot Shells:*

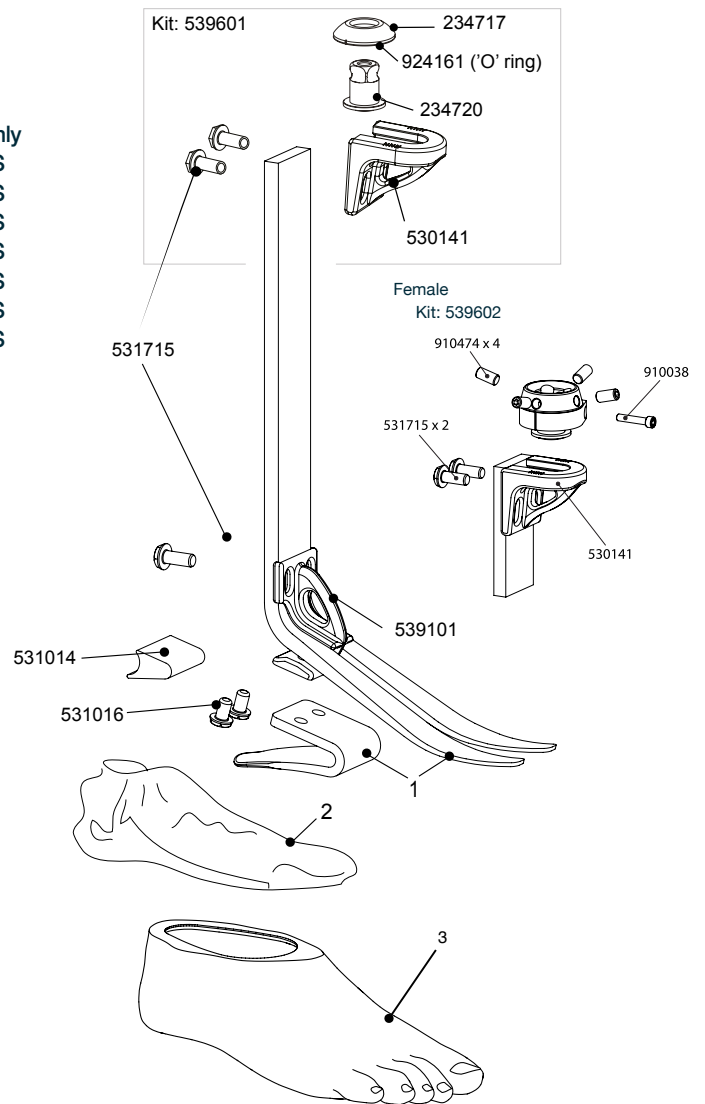
Foot size Left/Right	Narrow	Wide
22L	539038S	-
22R	539039S	-
23L	539040S	-
23R	539041S	-
24L	539042S	-
24R	539043S	-
25L	539044SN	539044SW
25R	539045SN	539045SW
26L	539046SN	539046SW
26R	539047SN	539047SW
27L	539048SN	539048SW
27R	539049SN	539049SW
28L	539050SN	539050SW
28R	539051SN	539051SW
29L	-	539052S
29R	-	539053S
30L	-	539054S
30R	-	539055S

Fitting Clamp:

Elite Blade Cutting Jig 941255

Use also as cutting and drilling guide. Available separately.

Instructions For Use 938295S



Build part numbers are for assembly guidance only and may not be for sale separately.

Flexible and lightweight blade for high energy return.

Elite Blade

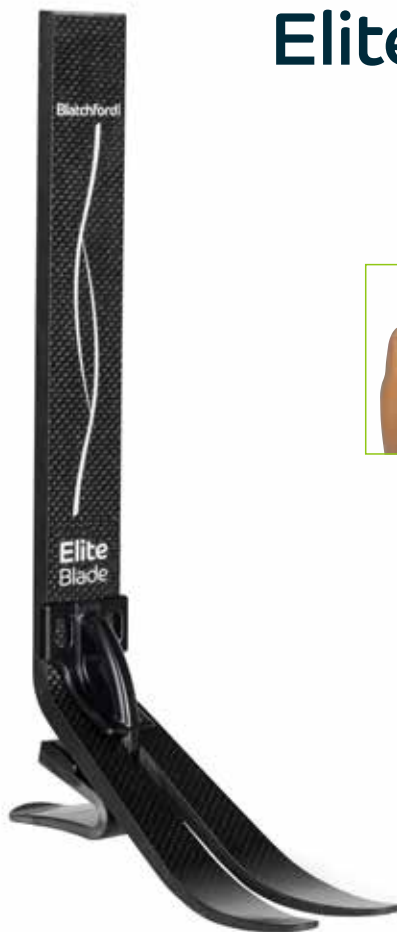
Features

- e-carbon foot with independent springs
- Lightweight with dynamic forward progression
- Spring range from low to high impact
- Variable spring stiffness heel wedge
- Male or female sliding & rotating housings
- Sandal Toe Foot shell

Foot Shell and Glide Sock included.

Specifications

Max. User Weight:	166kg
Activity Level:	3-4
Size Range:	22cm-30cm
Component Weight:	500g [†]
Build Height:	200mm - 365mm (min - max)
Heel Height:	10mm






Order Example

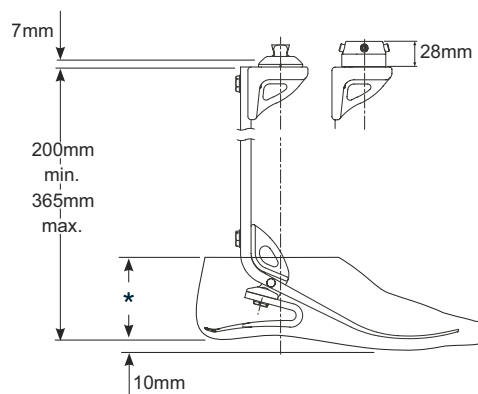
Product Code	Size	Side	Width*	Spring Set	Sandal Toe	+ Top Housing
EB	25	L	N	5	S	539601: Blade top housing TT male - sliding & rotating 539602: Blade top housing TT female - sliding & rotating

*Narrow (N) and Wide (W) available for sizes 25-28 only.[□]
For dark tone add suffix D. Foot examples: Elite Blade, size 25 left, narrow, spring rating 5, sandal toe.

Accessories

Foot Shell Cover	539087	
Top housing male	539601	
Top housing female	539602	

Build Height



* Sizes

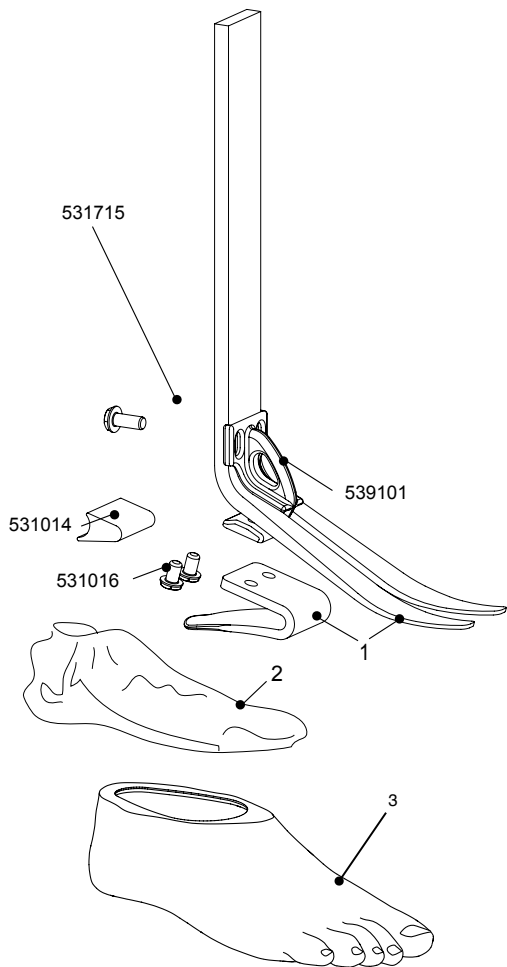
22-26	65mm
27-28	70mm
29-30	75mm

Impact Activity	User Weight	Foot spring set										
		1	2	3	4	5	6	7	8	9	-	
Low	44-52 100-115	1	1	2	3	4	5	6	7	8	9	-
Mod	53-59 116-130	1	2	3	4	5	6	7	8	9	-	-
High	60-68 131-150	2	3	4	5	6	7	8	9	-	-	-
	69-77 151-170											
	78-88 171-195											
	89-100 196-220											
	101-116 221-255											
	117-130 256-285											
	131-147 286-325											
	148-166 326-365 lbs											

[†]Component weight shown is for a size 26cm without foot shell.
[□]28N available Q1 2021.



Elite Blade^{VT} Schematics



1 Spring Kits

Foot Size	Foot Size	Foot Size	Foot Size
22-24	25-26	27-28	29-30
Set 1 - 539701S	Set 1 - 539710S	Set 1 - 539719S	Set 1 - Special
Set 2 - 539702S	Set 2 - 539711S	Set 2 - 539720S	Set 2 - Order only
Set 3 - 539703S	Set 3 - 539712S	Set 3 - 539721S	Set 3 - 539730S
Set 4 - 539704S	Set 4 - 539713S	Set 4 - 539722S	Set 4 - 539731S
Set 5 - 539705S	Set 5 - 539714S	Set 5 - 539723S	Set 5 - 539732S
Set 6 - 539706S	Set 6 - 539715S	Set 6 - 539724S	Set 6 - 539733S
Set 7 - 539707S	Set 7 - 539716S	Set 7 - 539725S	Set 7 - 539734S
Set 8 - 539708S	Set 8 - 539717S	Set 8 - 539726S	Set 8 - 539735S
Set 9 - -	Set 9 - 539718S	Set 9 - 539727S	Set 9 - 539736S

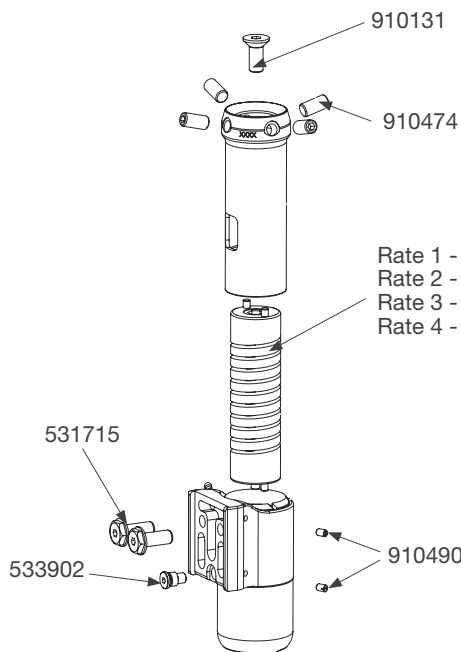
2 Glide Sock

Size 22-26	531011
Size 27-30	532811

3 Foot Shells:*

Foot size Left/Right	Narrow	Wide
22L	539038S	-
22R	539039S	-
23L	539040S	-
23R	539041S	-
24L	539042S	-
24R	539043S	-
25L	539044SN	539044SW
25R	539045SN	539045SW
26L	539046SN	539046SW
26R	539047SN	539047SW
27L	539048SN	539048SW
27R	539049SN	539049SW
28L	539050SN	539050SW
28R	539051SN	539051SW
29L	-	539052S
29R	-	539053S
30L	-	539054S
30R	-	539055S

Fitting clamp - 941255 fitting clamp for alignment and set-up.
Use also as cutting and drilling guide. Available separately

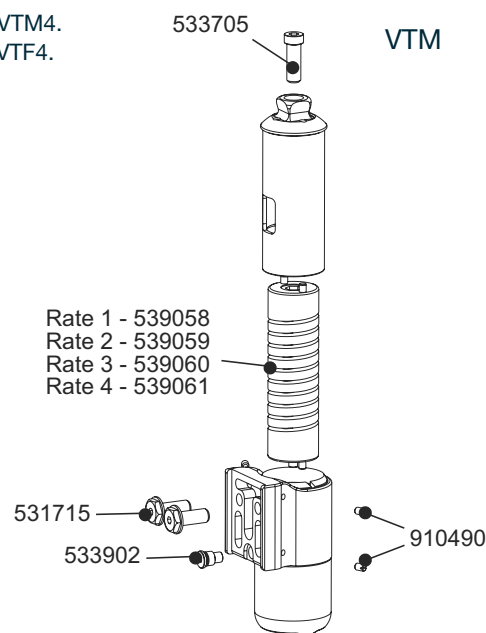


VTF

VT (male): VTM1, VTM2, VTM3, VTM4.
VT (female): VTF1, VTF2, VTF3, VTF4.
VT cutting jig - 941256

Instructions for Use:

Elite Blade 938295S
VTM 938312
VTF 938319
Cutting Jig 938314



VTM

Build part numbers are for assembly guidance only and may not be for sale separately.

Flexible blade with shock absorption and rotation device.

Elite Blade^{VT}

Features

- Powerful and dynamic forward progression
- Precision machined spring for vertical compression and axial rotation
- Controlled and efficient energy return
- Independent e-carbon foot springs
- Variable spring stiffness heel wedge
- Slimline design is easy to finish
- Sandal Toe Foot shell

Foot Shell and Glide Sock included.



Specifications

Max. User Weight:	166kg
Activity Level:	3-4
Max. Rotation:	+/-15deg
Size Range:	22cm-30cm
Component Weight:	1030g [†]
Build Height VTM:	215mm - 380mm (min - max)
Build Height VTF:	233mm - 398mm (min - max)
Heel Height:	10mm



Order Example

Product Code	Size	Side	Width*	Spring Selection	Sandal Toe	+	VT Component
EB	25	L	N	5	S		Male VTM1 or VTF1 Female VTM2 or VTF2 VTM3 or VTF3 VTM4 or VTF4

Please note this product will be supplied as two items.

*Narrow (N) and Wide (W) available for sizes 25-28 only.
For dark tone add suffix D. Foot example: Elite BladeVT, size 25, left, narrow, spring rating 5, sandal toe.

Accessories

Foot Shell Cover 539087

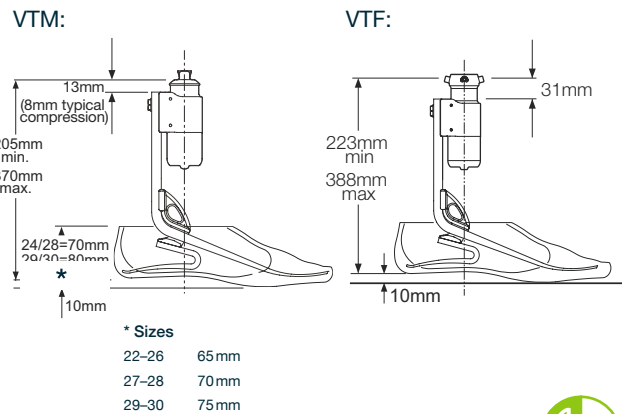


Tools



Cutting/drill & fitting jig VT 941256 Blade 941255

Build Height



Impact Activity	User Weight										Foot spring set
	44-52 100-115	53-59 116-130	60-68 131-150	69-77 151-170	78-88 171-195	89-100 196-220	101-116 221-255	117-130 256-285	131-147 286-325	148-166 326-365 lbs	
Low 3	1	1	2	3	4	5	6	7	8	9	
Mod 4	1	2	3	4	5	6	7	8	9	-	
High 4	2	3	4	5	6	7	8	9	-	-	
Spring set recommendations are for trans-tibial users. For trans-femoral use we suggest selecting a spring set one level lower.											
	1	2		3		4					◀ Axial shock rate spring indicated as shown ◀ Axial shock spring

[†]Component weight shown is for a size 26cm without foot shell.
[□]28N available Q1 2021.

Blade^{XT} Schematics

1 BXT Heel Spring Kits

Include the overmoulded cover, fasteners and heel wedge.

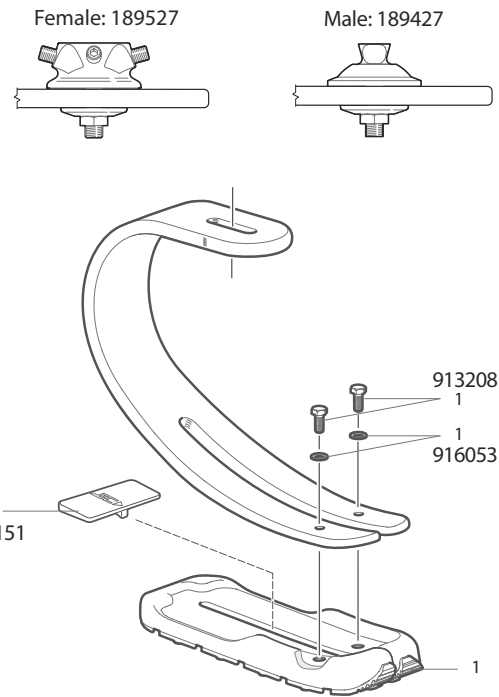
Spring Category	Heel Type	Part No.
1, 2	Soft Sports	539083SS
3, 4, 5	Medium Sports	539083MS
6, 7	Firm Sports	539083FS
8, 9	Extra Firm	539083EFS

Proximal Adapter

Male	189427
Female	189527

Instructions for use 938345

Build part numbers are for assembly guidance only and may not be for sale separately.



Sports blade with powerful twin toe spring and traction heel for postural support and grip.

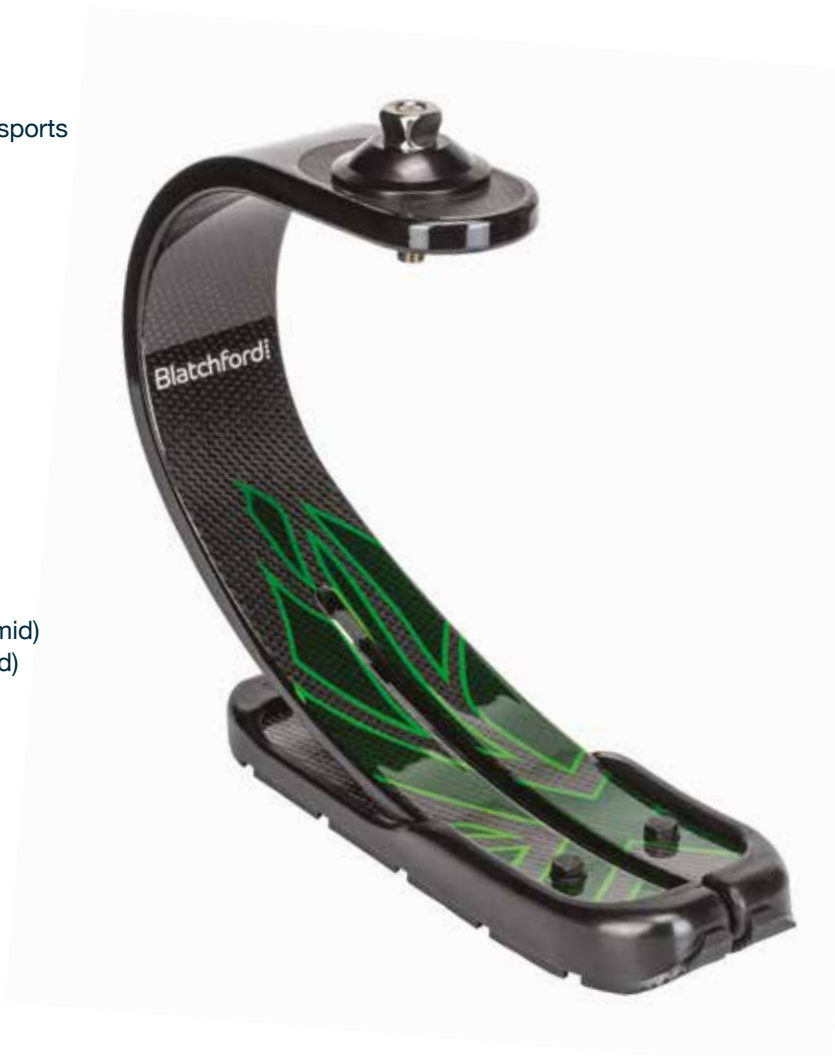
Blade^{XT}

Features

- Ideal for cross training, running, bat and ball sports
- Controlled acceleration and deceleration
- Ease of alignment incl. A/P slide
- Variable spring stiffness heel wedge
- Heel stiffness adjustment

Specifications

Max. User Weight:	166kg
Activity Level:	4
Spring range:	1-9
Component Weight:	850g cat. 6
Build Height:	250mm (female pyramid) 230mm (male pyramid)



Order Example

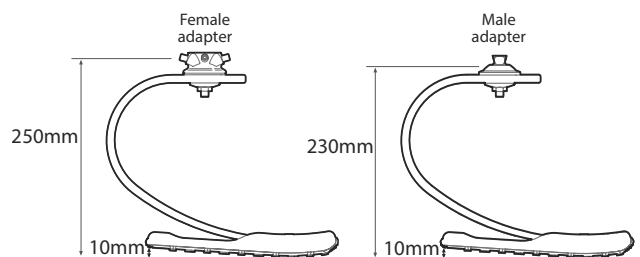
Product Code	Spring Set	Sole	Adapter Type
BXTAG	3	S	F

Foot example: BladeXT, spring rating 3, sport sole, female adapter

Product Code	Spring Set	Sole	Adapter Type
BXTAG	4	S	M

Foot example: BladeXT, spring rating 4, sport sole, male adapter

Build Height



Jogger	Occasional to frequent recreational running	User	Activity	User Weight											kg									
				44-52	53-59	60-68	69-77	78-88	89-100	101-116	117-130	131-147	148-166	100-115		116-130	131-150	151-170	171-195	196-220	221-255	256-285	286-325	326-365
Jogger	4	1	2	3	4	5	6	7	8	9	9	9	9	9	9	9	9	9	9	9	9	9	9	Foot spring set
Runner	4	2	3	4	5	6	7	8	9	9	9	9	9	9	9	9	9	9	9	9	9	9	9	Foot spring set

Important: For higher impact users, do not exceed the weight limit for individual springs.



Javelin Schematics

1 Spring Kits:

Foot Size	Foot Size	Foot Size	Foot Size
22-24	25-26	27-28	29-30
Set 1 - 539301S	Set 1 - 539510S	Set 1 - 539519S	Special
Set 2 - 539302S	Set 2 - 539511S	Set 2 - 539520S	Order Only
Set 3 - 539303S	Set 3 - 539512S	Set 3 - 539521S	Set 3 - 539530S
Set 4 - 539304S	Set 4 - 539513S	Set 4 - 539522S	Set 4 - 539531S
Set 5 - 539305S	Set 5 - 539514S	Set 5 - 539523S	Set 5 - 539532S
Set 6 - 539306S	Set 6 - 539515S	Set 6 - 539524S	Set 6 - 539533S
Set 7 - 539307S	Set 7 - 539516S	Set 7 - 539525S	Set 7 - 539534S
Set 8 - 539308S	Set 8 - 539517S	Set 8 - 539526S	Set 8 - 539535S
Set 9 - -	Set 9 - 539518S	Set 9 - 539527S	Set 9 - 539536S

2 Glide Sock

Sizes 22 to 26	531011
Sizes 27 to 30	532811

3 Foot Shells:*

Foot size Left/Right	Narrow	Wide
22L	539038S	-
22R	539039S	-
23L	539040S	-
23R	539041S	-
24L	539042S	-
24R	539043S	-
25L	539044SN	539044SW
25R	539045SN	539045SW
26L	539046SN	539046SW
26R	539047SN	539047SW
27L	539048SN	539048SW
27R	539049SN	539049SW
28L	539050SN	539050SW
28R	539051SN	539051SW
29L	-	539052S
29R	-	539053S
30L	-	539054S
30R	-	539055S

*For dark tone add suffix D

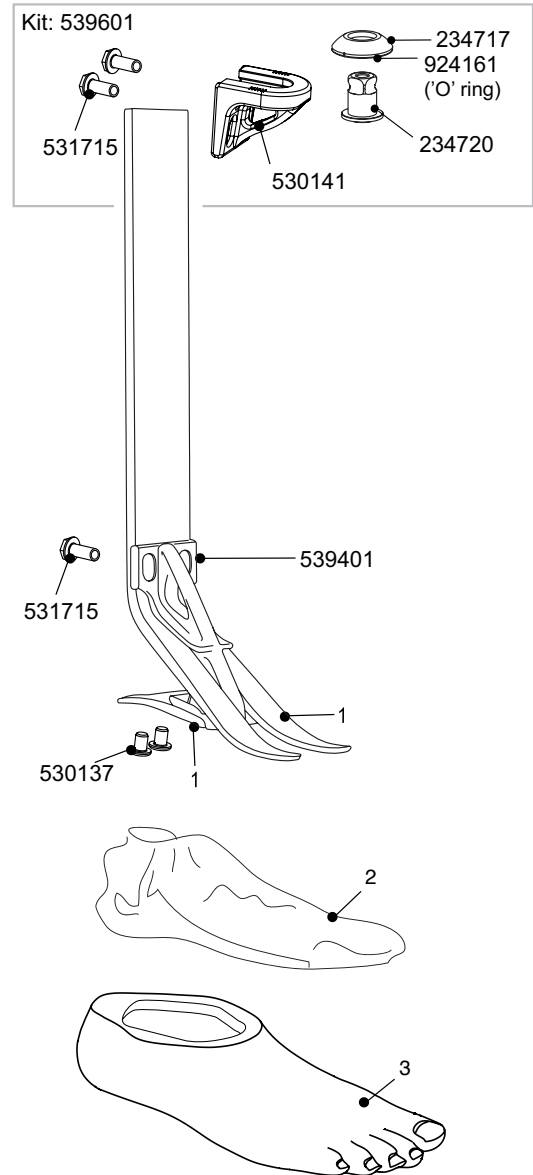
Fitting clamp - 941255 fitting clamp for alignment and set-up. Use also as cutting and drilling guide.

Available separately.

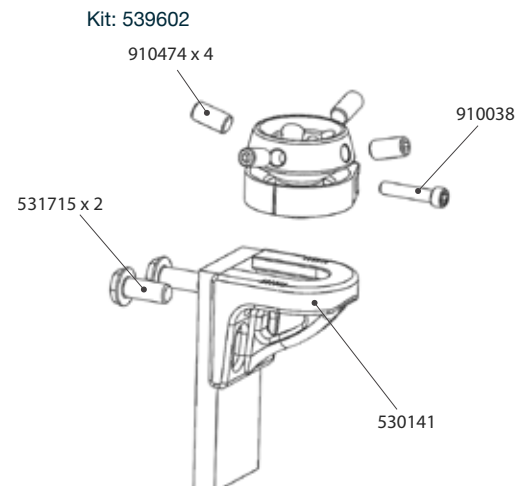
Tools:

Cutting/Drill & Jig Standard	941255
Instructions For Use	938306S

Male



Female



Build part numbers are for assembly guidance only and may not be for sale separately.

Lightweight blade, ideal for moderate impact sports and activities.

Javelin

Features

- Small sizes available
- e-carbon foot with independent springs
- Dynamic pylon enhances shock absorption
- Easy to finish cosmetically
- Sandal Toe Foot Shell

Foot Shell and Glide Sock included.

Specifications

Max. User Weight:	166kg
Activity Level:	(2), 3, (4*)
Size Range:	22cm-30cm
Component Weight:	444g [†]
Build Height:	200mm - 365mm (min - max)
Heel Height:	10mm






Order Example

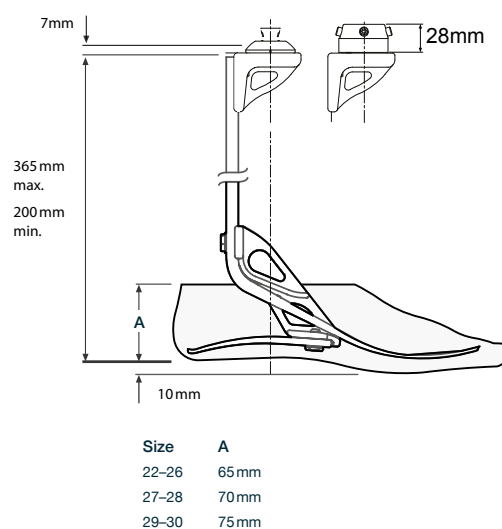
Product Code	Size	Side	Width*	Spring Set	Sandal Toe	+ Top Housing
JAV	25	L	N	3	S	539601: Blade top housing TT male - sliding & rotating 539602: Blade top housing TT female - sliding & rotating

*Narrow (N) and Wide (W) available for sizes 25-28 only.[□]
For dark tone add suffix D.
Example: foot size 25, left, narrow, spring rating 3, sandal toe, adapter.

Accessories

Foot Shell Cover	539087	
Top housing male	539601	
Top housing female	539602	

Build Height



Activity Level 2 users who would benefit from this foot will require softer springs as appropriate for the individual. Refer to Instructions for Use for further information.

Spring set recommendations are for trans-tibial users. For trans-femoral we suggest selecting a spring set one level lower.

Activity	User Weight									Spring set											
	44-52	53-59	60-68	69-77	78-88	89-100	101-116	117-130	131-147		148-166 kg	100-115	116-130	131-150	151-170	171-195	196-220	221-255	256-285	286-325	326-365 lbs
3	1	1	2	3	4	5	6	7	8	9											

*Maximum user weight 100 kg and always use one higher spring rate category than shown in Spring selection table.

[†]Component weight shown is for a size 26cm without foot shell.

[□]28N available Q1 2021.



Avalon^{K2} Schematics

1. Glide Sock, Sizes 22-30

405815

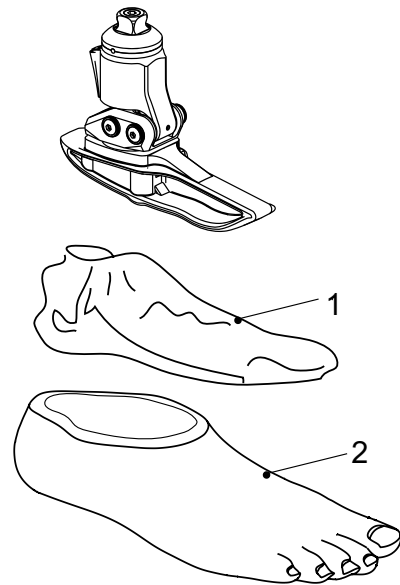
2. Foot Shell*

Left	Part Number	Right	Part Number
22L	539020	22R	539021
23L	539022	23R	539023
24L	539024	24R	539025
25L	539026	25R	539027
26L	539028	26R	539029
27L	539030	27R	539031
28L	539032	28R	539033
29L	539034	29R	539035
30L	539036	30R	539037

*For dark tone add suffix D

Hex Key 2.5mm AF
Instructions for use

940234
938327



Build part numbers are for assembly guidance only and may not be for sale separately.

Hydraulic ankle/foot with ergonomic keel for better posture, stability and joint position.

Avalon^{K2}

Features

- Ergonomic keel for ease of rollover
- Increased range of motion to enable greater sit-stand transfer safety
- Increased shock absorption, reduction in interface pressures
- Increased toe clearance in swing phase
- Plantar flexion compliance when descending steps
- Sandal toe

Foot Shell and Glide Sock included.



Specifications

Max. User Weight:	150kg
Activity Level:	2
Size Range:	22-30cm
Component Weight:	520g [†]
Build Height:	115mm
Heel Height:	10mm
Range of Ankle Motion:	6° plantar to 6° dorsiflexion



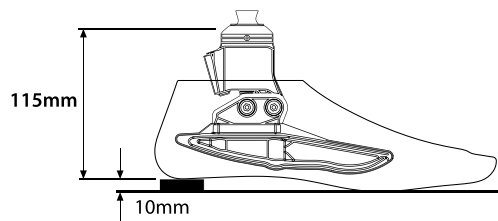
Suitable for submersion

Order Example

Product Code	Size	Side
AV	25	L

For dark tone add suffix D.
Foot example: AvalonK2 size 25 left.

Build Height



Accessories

Alignment Wedge

940093



[†]Component weight shown is for a size 26cm without foot shell.



AvalonK2^{VAC} Schematics

1. Glide Sock, Sizes 24-30

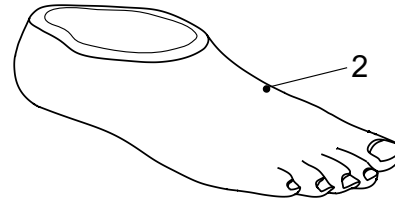
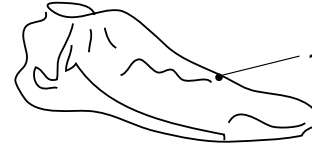
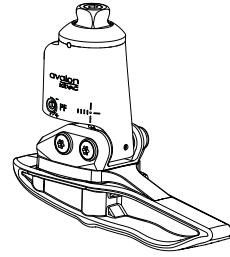
405815

2. Foot Shell*

Left	Part Number	Right	Part Number
24L	539024	24R	539025
25L	539026	25R	539027
26L	539028	26R	539029
27L	539030	27R	539031
28L	539032	28R	539033
29L	539035	29R	539035
30L	539036	30R	539037

*For dark tone add suffix D

DF/PF Adjuster Key 940236
Instructions for use 938432



AvalonK2^{VAC}

Hydraulic ankle/foot with the added functionality of elevated vacuum. The ergonomic keel provides better posture, stability and joint position.

Features

- Biomimetic Hydraulic Technology with integrated elevated vacuum
- Walking motion generates a natural vacuum
- No power required, quiet gentle operation
- Ergonomic keel for ease of rollover
- Increased shock absorption, reduction in interface pressures
- Increased toe clearance in swing phase
- Plantar flexion compliance when descending steps
- Sandal toe

Foot Shell and Glide Sock included.



Specifications

Max. User Weight:	150kg
Activity Level:	2
Size Range:	22-30cm
Component Weight:	583g [†]
Build Height:	122mm
Heel Height:	10mm
Range of Ankle Motion:	6° plantar to 3° dorsiflexion



Suitable for outdoor use

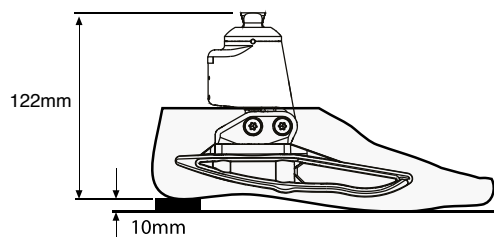
Order Example

Product Code	Size	Side
AVAC	24	L

For dark tone add suffix D.

Foot example: Avalonk2VAC size 24L.

Build Height



Accessories

Alignment Wedge

940093



[†]Component weight shown is for a size 26cm without foot shell.



Navigator Schematics

1 Snubber Kits

60° (white)	405605
70° (orange)	405606
80° (blue)	405607

2 Keel

Small	405619
Medium	405719
Large	405819
Extra Large	405919

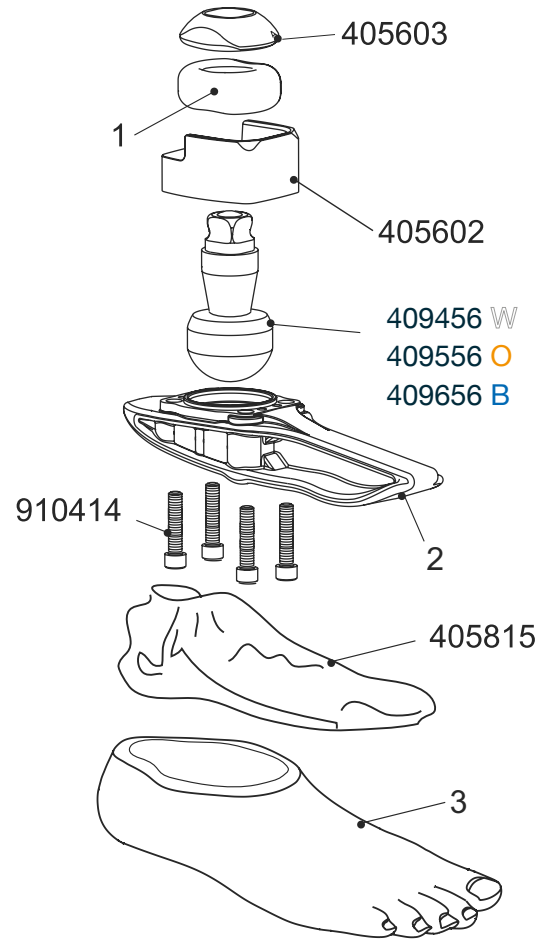
3 Foot Shell*

Left	Part Number	Right	Part Number
22L	539020	22R	539021
23L	539022	23R	539023
24L	539024	24R	539025
25L	539026	25R	539027
26L	539028	26R	539029
27L	539030	27R	539031
28L	539032	28R	539033
29L	539034	29R	539035
30L	539036	30R	539037

*For dark tone add suffix D

Cone tool (for assembly)
Instructions for use

940083
938247



Navigator

Multi-axial foot with flexible keel for comfort and stability.

Features

- Multi-axial flexible keel
- Short keel optimized for K2 gait and transfer
- Integrated ankle joint
- Choice of ankle stiffness
- Sandal toe

Foot Shell and Glide Sock included.

Specifications

Max. User Weight:	125kg
Activity Level:	1-3
Size Range:	22cm-30cm
Component Weight:	350g [†]
Build Height:	95mm
Heel Height:	10mm



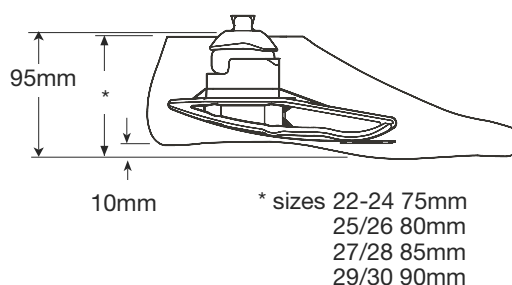
Suitable for outdoor use

Order Example

Product Code	Size	Side	Ball	Snubber
NAV	25	L	W	O

For dark tone add suffix D. Foot example: Navigator, size 25 left, ball rating white, snubber rating orange.

Build Height

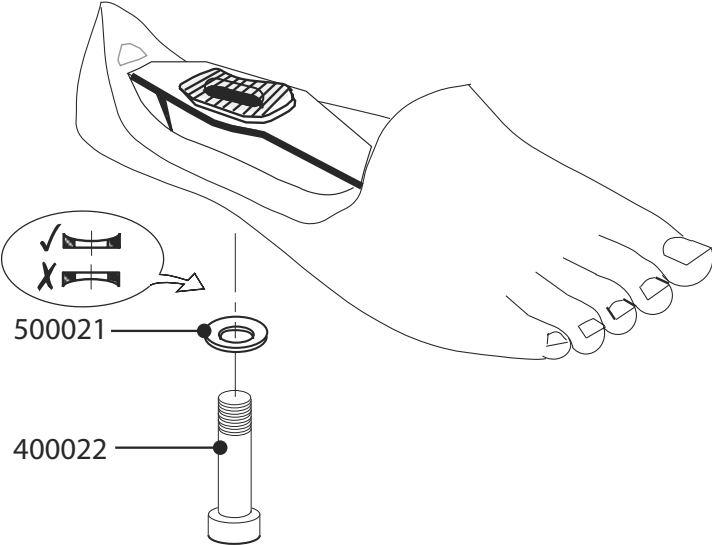


Activity	User Weight							kg
	44-52	53-59	60-68	69-77	78-88	89-100	101-125	
1	WW	WW	WW	WO	OO	OB	BB	Ball and snubber
2	WW	WW	WO	OO	OB	BB	BB	
3	WW	WO	OO	OB	BB	BB	BB	



[†]Component weight shown is for a size 26cm without foot shell.

Multiflex Standard Schematics



Instructions for use 938016

Build part numbers are for assembly guidance only and may not be for sale separately.

The Multiflex foot and ankle provides the level 1-2 user with multi-axial motion for comfort and stability.

Multiflex Standard

Features

- Multi-axial function
- Low profile
- Sandal toe

Specifications

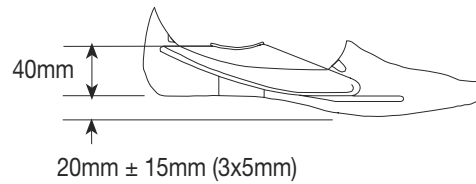
Max. User Weight:	125kg
Activity Level:	1-2
Size Range:	22cm-30cm
Component Weight:	375g [†]
Build Height:	40mm
Heel Height:	20 ± 15mm



Part Numbers

Size	Left	Right
22cm	519119	519120
23cm	519121	519122
24cm	519123	519124
25cm	519125	519126
26cm	519127	519128
27cm	519129	519130
28cm	519131	519132
29cm	519133	519134
30cm	519135	519136

Build Height



Ankle Part Number and Description	Snubber Part Number and Description	Max. User Weight/ Activity Level	Build Height	Material	Weight
379342 Multiflex ankle W 30mm	409007 - snubber W 60° 409008 - snubber O 70° 409009 - snubber B 80°	125kg / 1-2	60mm	Aluminium	201g
379343 Multiflex ankle O 30mm					
379344 Multiflex ankle B 30mm					
409353 Pyramid Multiflex W	409007 - snubber W 60° 409008 - snubber O 70° 409009 - snubber B 80°	125kg / 1-2	58mm	Aluminium & Stainless Steel	199g
409354 Pyramid Multiflex O					
409355 Pyramid Multiflex B					

Ankle and snubber selection

				Ankle
				Snubber
60kg	80kg	100kg	125kg	

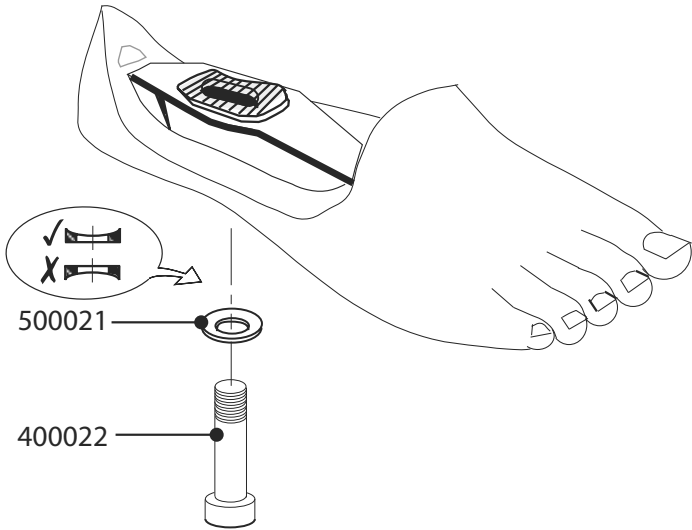
Snubber for standard ankle:

Multiflex ankle and snubber selection.

Activity	Max. User Weight				kg lbs
	60	80	100	125	
1-2	WW	WO	OO	BB	Ball and snubber

[†]Component weight shown is for a size 26cm.

Multiflex Slim Schematics



Instructions for use

938016

Build part numbers are for assembly guidance only and may not be for sale separately.

The Multiflex foot and ankle in a slimmer width.
Additional heel height capacity allows for a higher heel.

Multiflex Slim

Features

- Multi-axial function
- Low profile
- Sandal toe

Specifications

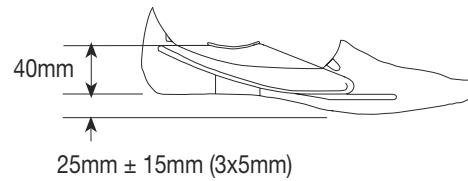
Max. User Weight:	125kg
Activity Level:	1-2
Size Range:	22cm-25cm
Component Weight:	375g [†]
Build Height:	40mm
Heel Height:	25 ± 15mm



Part Numbers

Size	Left	Right
22cm	519141	519142
23cm	519143	519144
24cm	519145	519146
25cm	519147	519148

Build Height



Ankle Part Number and Description	Snubber Part Number and Description	Max. User Weight/ Activity Level	Build Height	Material	Weight	
379342 Multiflex ankle W 30mm	409007 - snubber W 60°	125kg / 1-2	60mm	Aluminium	201g	
379343 Multiflex ankle O 30mm						409008 - snubber O 70°
379344 Multiflex ankle B 30mm						409009 - snubber B 80°
409353 Pyramid Multiflex W	409007 - snubber W 60°	125kg / 1-2	58mm	Aluminium & Stainless Steel	199g	
409354 Pyramid Multiflex O						409008 - snubber O 70°
409355 Pyramid Multiflex B						409009 - snubber B 80°

Ankle and snubber selection

				Ankle
				Snubber
60kg	80kg	100kg	125kg	

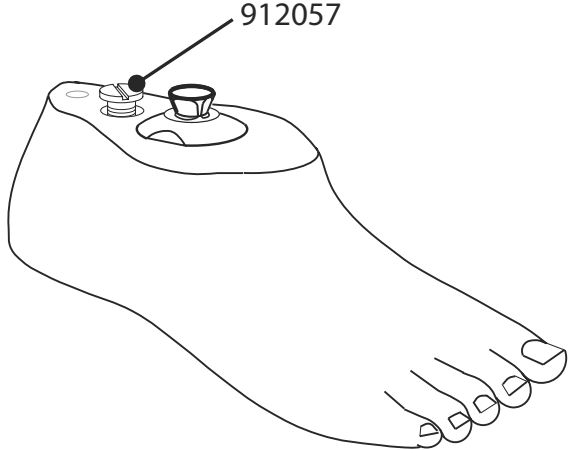
Snubber for standard ankle:

Multiflex ankle and snubber selection.

Activity	Max. User Weight				kg
	60	80	100	125	
	131	176	220	275	lbs
1-2	WW	WO	OO	BB	Ball and snubber

[†]Component weight shown is for a size 25cm.

SuperSACH Schematics



Instructions for use

938086

Build part numbers are for assembly guidance only and may not be for sale separately.

A cushioned foot with flexible keel and adjustable heel cushion for level 1-2 users.

SuperSACH

Features

- Adjustable heel cushion
- Sandal toe
- Integrated pyramid

Specifications

Max. User Weight:	125kg
Activity Level:	1-2
Size Range:	22cm-28cm
Component Weight:	449g [†]
Build Height:	70mm size 22-24 75mm size 25-26 80mm size 27-28
Heel Height:	19mm



Suitable for submersion

Part Numbers

Size	Left	Right
22cm	P529101	P529102
23cm	P529103	P529104
24cm	P529105	P529106
25cm	P529107	P529108
26cm	P529109	P529110
27cm	P529111	P529112
28cm	P529113	P529114

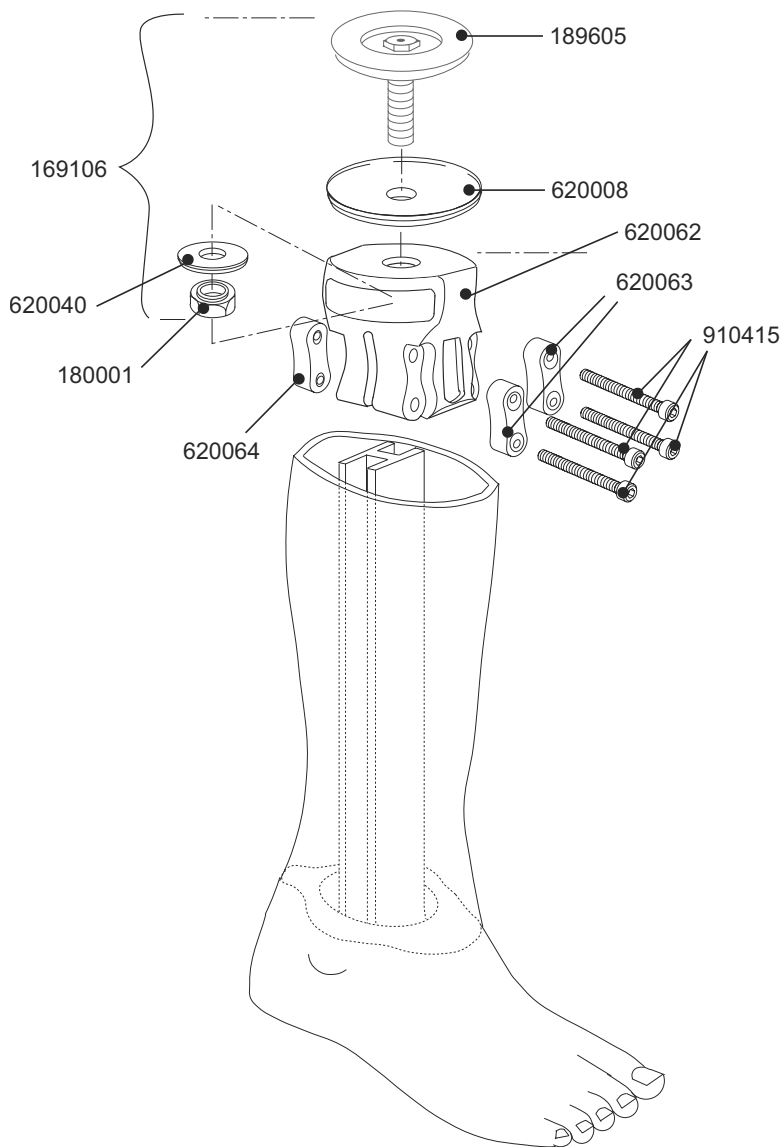
Build Height

Size	A
22cm	70mm
23cm	
24cm	
25cm	75mm
26cm	
27cm	80mm
28cm	

For dark tone add suffix /D. For example: P529101/D.

[†]Component weight shown is for a size 26cm.

Aqualimb^{TT} Schematics



Instructions for use

938255

Build part numbers are for assembly guidance only and may not be for sale separately.

A waterproof prosthesis with integral shin and cosmesis.
For use in the shower and wet environments.

Aqualimb^{TT}

Features

- Integral shin and cosmesis
- Rapid assembly
- Full alignment device included
- Anti-slip tread pattern on sole

Specifications

Max. User Weight:	100kg
Activity Level:	1-2
Size Range:	22cm-27cm
Component Weight:	1.39kg†
Build Height:	280 to 415mm
Heel Height:	5mm

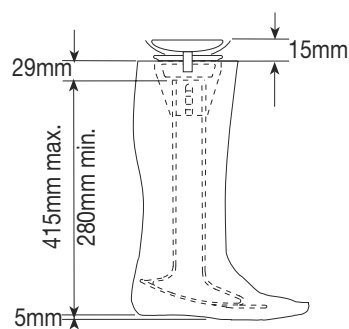


Suitable for submersion

Part Numbers

Size	Left	Right
22cm	629705L	629706L
23cm	629707L	629708L
24cm	629709L	629710L
25cm	629711L	629712L
26cm	629713L	629714L
27cm	629715L	629716L

Build Height



†Component weight shown is for a size 26cm.



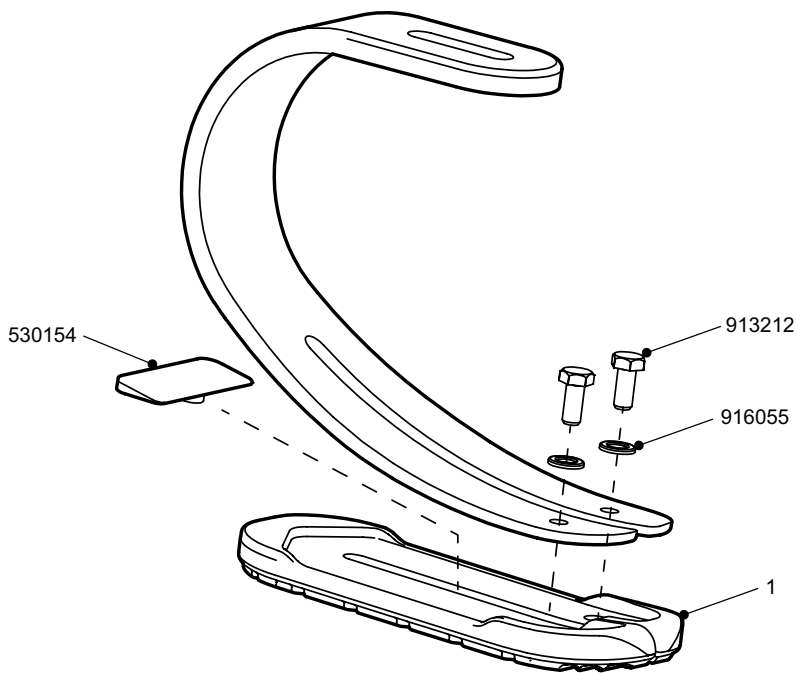
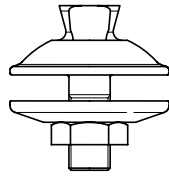




Junior

Mini Blade^{XT} Schematics

Male Mini Pyramid
189627



1 MBXT Heel Spring Kits — include the overmoulded cover, screws, washers and heel wedge.

Spring Category	Heel Type	Part No.
1	Soft Sports	539084SS
2	Medium Sports	539084MS
3	Firm Sports	539084FS

Adapters Part No.

Male Mini Pyramid (supplied with foot) 189627

Female Mini Pyramid 25mm Tube Clamp Adapter 189526

Female Mini Pyramid 30mm Tube Clamp Adapter 189727



Instructions For Use 938371

Build part numbers are for assembly guidance only and may not be for sale separately.

A versatile paediatric blade suitable for a range of activities.

Mini Blade^{XT}

Features

- Twin toe and heel springs
- Split toe design
- Traction sole
- Heel stiffness wedge
- Waterproof
- Field replaceable heel spring kit
- Male mini pyramid with 30mm shift and rotation

Specifications

User Weight:	20-60kg
Amputation Level:	All
Activity Level:	3-4
Spring Range:	1-3
Component Weight:	450g (including male mini pyramid)
Build Height:	168mm
Colour Options:	Dazzling Pink (P) or Electric Blue (B)



Order Example

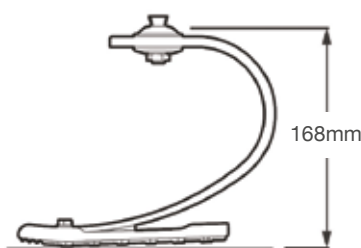
Product Code	Colour	Spring Set	
MBXTA	B	3	SM

Foot example: Mini BladeXT, Colour Blue, Spring Set 3.

Product Code	Colour	Spring Set	
MBXTA	P	1	SM

Foot example: Mini BladeXT, Colour Pink, Spring Set 1.

Build Height



Activity	User Weight			Toe and Heel Spring Set
	20-35 44-77	36-50 78-110	51-60 111-132	
3-4	1 Soft	2 Medium	3 Firm	

A durable and lightweight polycentric knee designed for active children.

Child's 4-Bar Knee

Features

- Polycentric knee for stance stability
- Adjustable extension assist spring
- Wide range of alignment
- Low build height

Specifications

Max. User Weight:	60kg
Activity Level:	1-4
Component Weight:	335g
Build Height:	105mm








Suitable for outdoor use

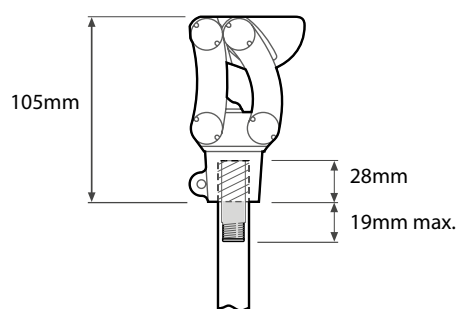
Part Number

Child's 4-bar Knee with 330mm tube	019245
Child's 4-bar Knee without tube	239133

Adapters

Child's TF Alignment Kit	189226	
Lamination Socket Alignment Kit	189126	
M30 Laminate Adapter 4 Prong Kit	189626	
M30 Childs Adapter Kit	189726	
Female Mini Pyramid Pylon Kit 25mm	409099	

Fitting Length



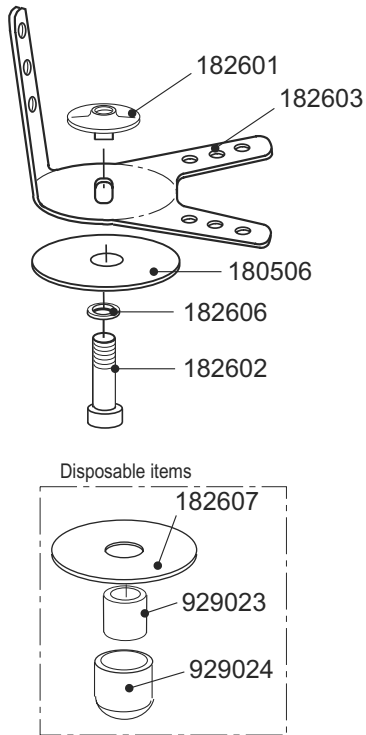
Junior

Number	Description	Part Number	Build height	Weight	Max. User Weight. /Activity Level
1	Child's socket attachment plate for lamination	189126	10mm	125g	60kg/1-4
2	Child's TF alignment kit-Blatchford full alignment	189226	16mm	64g	60kg/1-4
3	M30 Child's Adaptor for 4 Bar Knee	189726	12mm	55g	60kg/1-4
4	M30 4 Prong Laminate Adapter	189626	10mm	100g	60kg/1-4
5	Female Mini Pyramid Pylon	409099	TT-50mm to 80mm TF-60mm to 80mm	96g	60kg/1-4
6	Female Mini Pyramid 25mm Tube Clamp Adapter	189526	12mm	75g	60kg/1-4
7	Female Mini Pyramid 30mm Tube Clamp Adapter	189727	12mm	75g	60kg/1-4
8	25mm Carbon Fibre Pylon	330129	180mm	56g	60kg/1-4
9	25mm Carbon Fibre Pylon	330126	253mm	81g	60kg/1-4
10	25mm Carbon Fibre Pylon	330130	330mm	109g	60kg/1-4



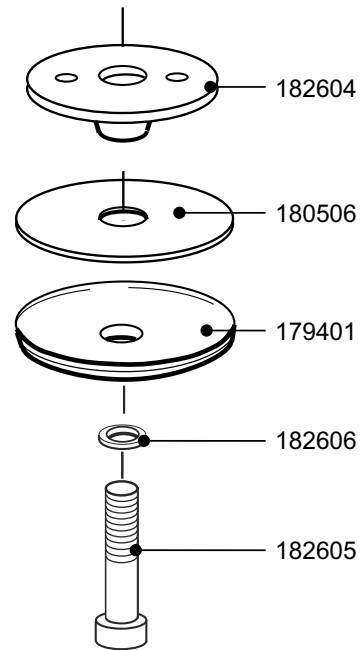
Please note that products are not shown to relative scale.

1. Tf alignment kit 189126



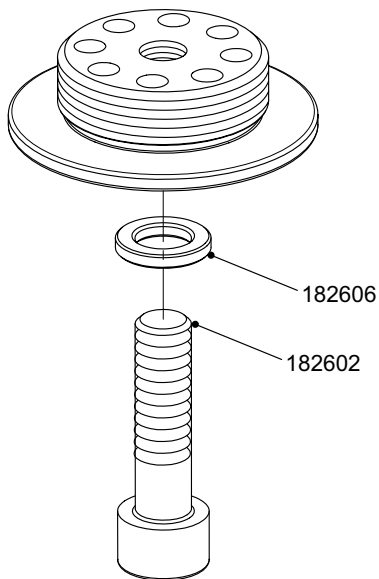
Instructions for use 938112

2. Alignment kit 189226



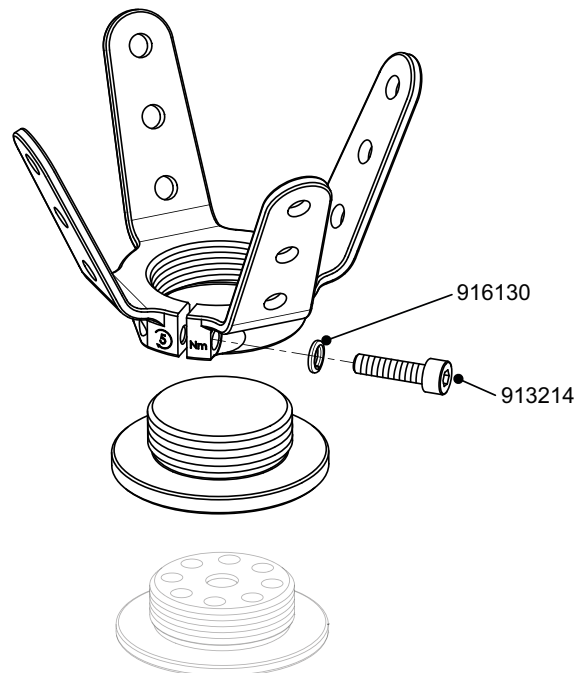
Instructions for use 938109

3. M30 Child's Adapter 189726



Instructions for use 938396

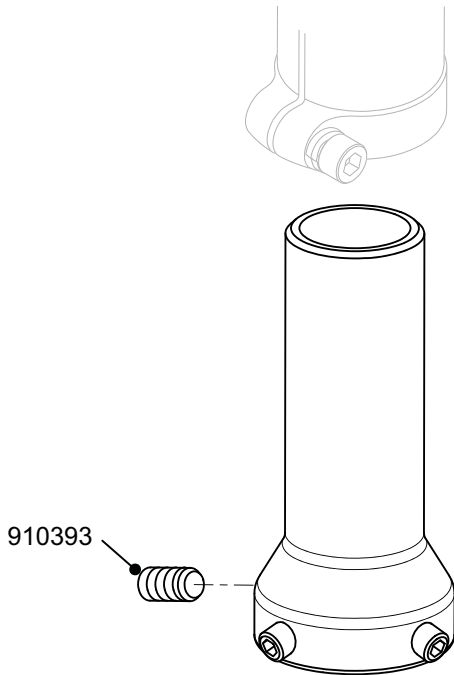
4. M30 4 Prong Laminate Adapter 189626



Instructions for use 938395

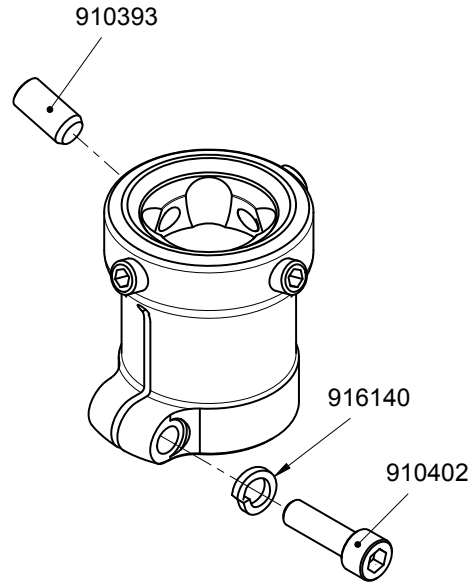


5. Female Mini Pyramid Pylon 25mm 409099



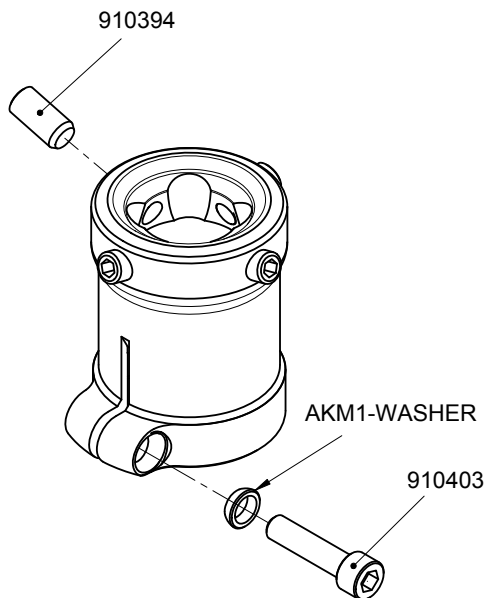
Instructions for use 938394

6. Female Mini Pyramid 25mm Tube Clamp Adapter 189526



Instructions for use 938373

7. Female Mini Pyramid 30mm Tube Clamp Adapter 189727



Instructions for use 938373



A white line-art illustration of a microscope's base and column is centered on a dark teal background. The drawing shows the lower portion of the microscope, including the base, the column, and the lower part of the eyepiece. The word "Controls" is written in a clean, white, sans-serif font, positioned in the middle of the column. The illustration uses simple lines to define the mechanical parts, with some circular elements representing lenses or adjustment knobs.

Controls

Controls



Blatchford Hydraulic Cylinders

New and Service Exchange Units

New	S/Ex*	Description	Trunnion Ø
932281	932283	Swing and Stance Cylinder for KX06*	8mm
932282	932284	Swing Cylinder for KX06*	8mm
932285	932286	Swing and Stance cylinder for Mercury Knee	10mm
932287	932288	Swing Cylinder for Mercury Knee	10mm



*Only compatible with the earlier versions of KX06, not KX06v2. Contact Customer Service if you need more information.

Blatchford Microprocessor Control Cylinders

New and Service Exchange Units

New	S/Ex*	Description	Trunnion Ø
239629	259902	Swing Cylinder for SmartIP	6mm



*Supplied for in-warranty cylinders only. Cylinder serial number will be required.

Control Kits



Kit: 019758

Control fitting kits for KX06 and Mercury modules (image not shown)

Fitting kit for KX06 **239254***

Description	Number
Pin Chassis Posterior	235420
Sleeve Chassis Posterior 2 off	235412
Distal Pivot 2 off	235417
Thrust Spacer 2 off	235419
M6x8 Screw 2 off	913205
M6 x 35 Cap Screw	910051

Fitting Kit for Mercury Knee **239031**

Description	Number
Pivot Pin Upper	234705
Thrust Washer x2off	234716
Lower Pivot x2off	234806
Thrust Washer (0.6) x2off	235206
Thrust Washer (0.5) x2off	235207

*Only compatible with the earlier versions of KX06, not KX06v2. Contact Customer Service if you need more information.

Control fitting kits for ESK+ and ESK/MKL shin modules

Fitting Kit for Smart IP **019668**

Description	Number
Nut	230078
Bolt	230079
Thrust washer, 2 off	230080
Lower pivot, 2 off	230088
Thrust washer, 2 off	230090

Fitting Kit for PSPC **019758**

Description	Number
Nut	230078
Bolt	230079
Thrust washer, 2 off	230080
Lower pivot, 2 off	230088
Thrust washer, 2 off	230090
Assistor spring	230313
Trunnion	239009



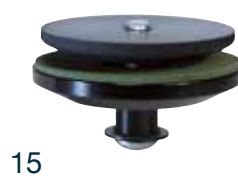


Adapters

Number	Description	Part Number	Build height	Material	Weight	Max. User wt. /Activity Level
1	TT lamination anchor	P189410S	17mm (35mm)	St. Steel	85g	125kg / 1-3 100kg / 1-4
2	TT lamination anchor	P189410	17mm (35mm)	Aluminium	75g	125kg / 1-3 100kg / 1-4
3	Pyramid male 4-bolt	P189310	8mm (15mm)	St. Steel	68g	150kg / 1-3 145kg / 1-4
4	KX06 adapter kit*	169307	3mm (13mm)	Aluminium/ St. Steel	65g	150kg / 1-3 145kg / 1-4
5	Pyramid male - sliding/rotating	EP-MSR	14mm (27mm)	Titanium	140g	150kg / 1-3
6	Pyramid female - sliding /rotating	EP-FSR	33mm (33mm)	Titanium	150g	150kg / 1-3
7	Pyramid male 4-bolt - sliding & rotating	169407	15mm	Aluminium/ Titanium	125g	150kg / 1-3 145kg / 1-4
8	Pyramid male - sliding & rotating Non-rotating male pyramid adapter	239017 239089	7mm (22mm) 7mm (22mm)	Alum/Titanium Alum/Titanium	50g 50g	166kg / 4 166kg / 4
9	Pyramid male - Blatchford dome	P189610	23mm	Aluminium/ St. Steel	155g	125kg / 1-3 100kg / 1-4
10	Pyramid female - Blatchford dome	P409049 (large) P409050 (small)	45mm 45mm	Aluminium/ St. Steel	209g	150kg / 1-3 145kg / 1-4
11	Pyramid male - Blatchford knee chassis	189127 189227 189327	5mm (25mm) 10mm 15mm	Aluminium/ St. Steel Alu/St. Steel Alu/St. Steel	103g 103g 103g	125kg / 1-3 100kg / 1-4
12	Pyramid female short - Blatchford knee chassis	409041	10mm (25mm)	Aluminium/ Titanium	110g	125kg / 1-3 100kg / 1-4
13	Full alignment kit TT - Blatchford dome	189906 (standard)	20mm	Aluminium/ Titanium	122g	125kg / 1-3 100kg / 1-4
14	Full alignment kit TF - Blatchford dome	189806 (standard) 189805 189807	20mm 10mm 30mm	Aluminium Aluminium Aluminium	183g 61g 93g	125kg / 1-3 100kg / 1-4
15	Full alignment kit TF* - KX06	169207	20mm	Aluminium	185g	150kg / 1-3 145kg / 1-4
16	Min. Build Height Kit - 4-bolt ESK+, Mercury and KX06V2	239032	20mm	Aluminium	170g	125kg / 1-3 100kg / 1-4
17	M36 Adapter	239092	14mm	Alum/St. Steel		125kg / 1-3 100kg / 1-4
18	Pyramid female - sliding & rotating	189128	28mm	Alum/Titanium	114g	166kg / 4
19	Cup & Strut kit TF - full alignment 10mm, 115mm dia cup	189118	25mm	Aluminum	528g	100kg / 1-4
20	Cup & Strut kit TF - Blatchford Dome 115mm dia cup	189218	20mm	Aluminum	418kg	125kg / 1-3 100kg / 1-4

*Only compatible with the earlier versions of KX06, not KX06v2. Contact Customer Service if you need more information.

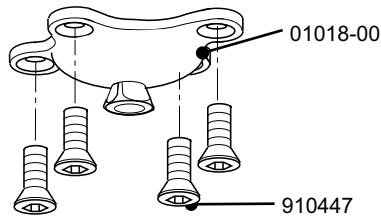
Adapters



Adapters Schematics

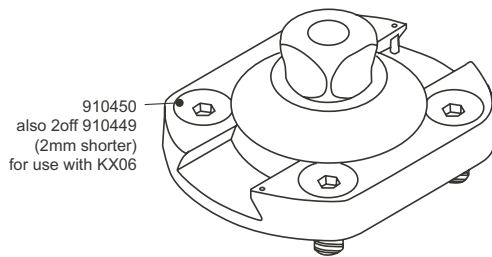
3. Pyramid 4-bolt

P189310



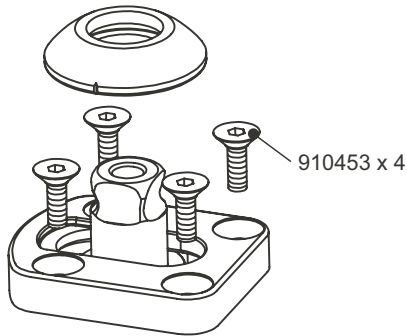
Instructions for use 938282

5. TF Pyramid Male Sliding/Rotating EP-MSR



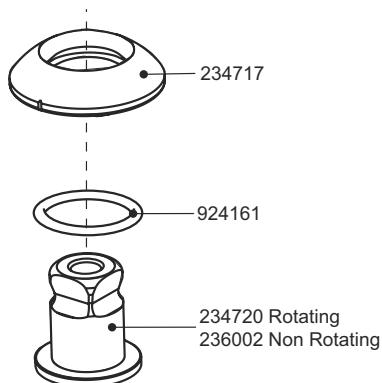
Instructions for use EP-MSR 938244

7. Pyramid male 4-bolt, sliding & rotating 169407



Instructions for use 938310

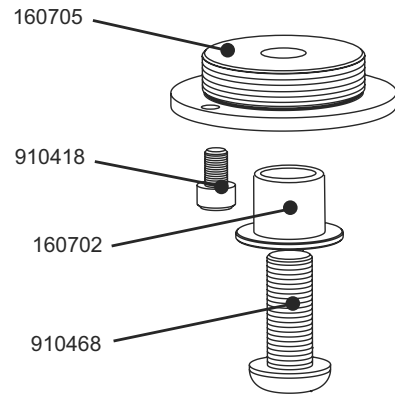
8. Pyramid Male Sliding Rotating Non Rotating 239017 239089



Instructions for use 938179

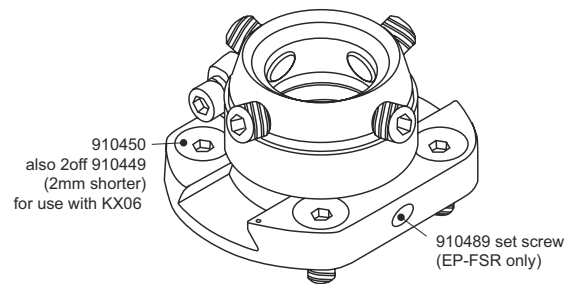
4. KX06 M36 adapter kit

169307



Instructions for use 938281

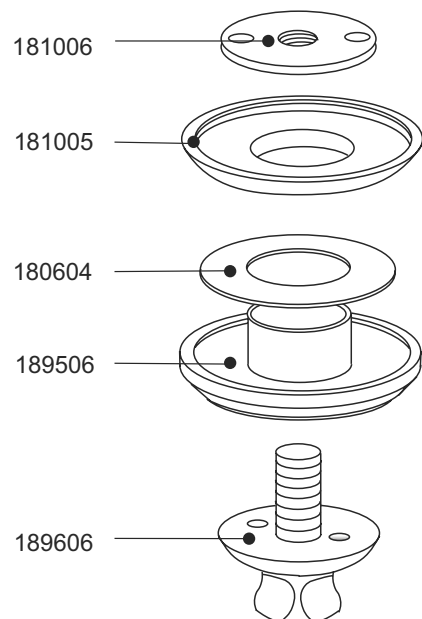
6. TF Pyramid Female Sliding/Rotating EP-FSR



Instructions for use EP-FSR 938240

9. TT Pyramid Alignment

P189610

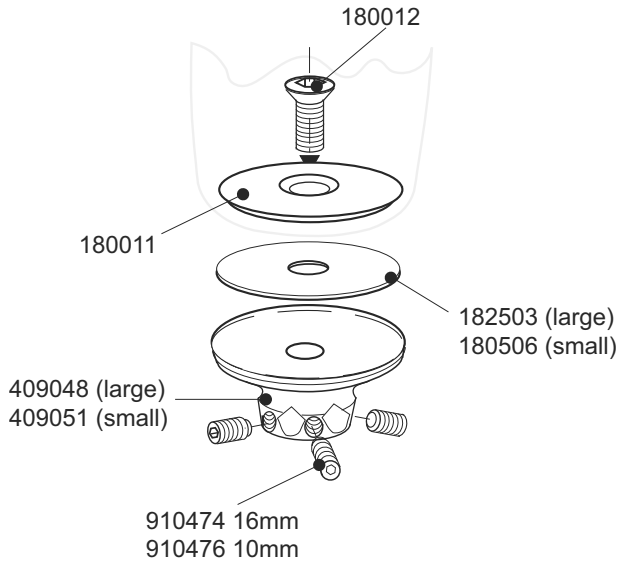


Instructions for use 938110

Build part numbers are for assembly guidance only and may not be for sale separately.

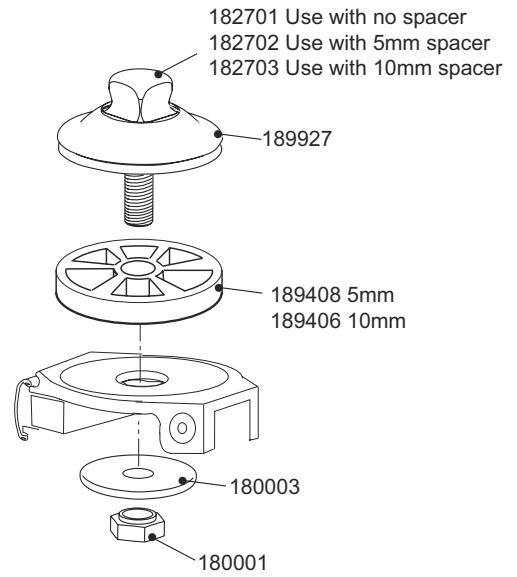
Adapters Schematics

10. Female pyramid adapter:
 Large P409049
 Small P409050



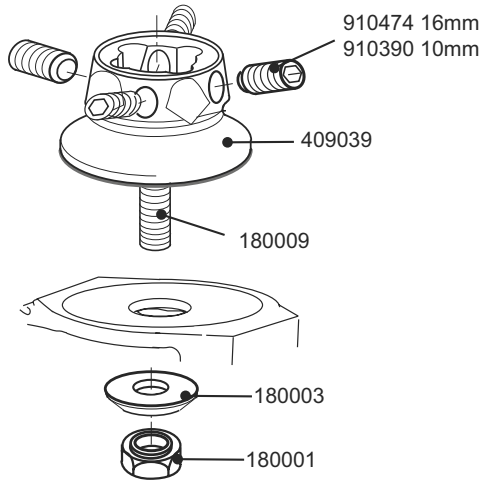
Instructions for use 938090

11. Full align. pyramid
 Standard 189127



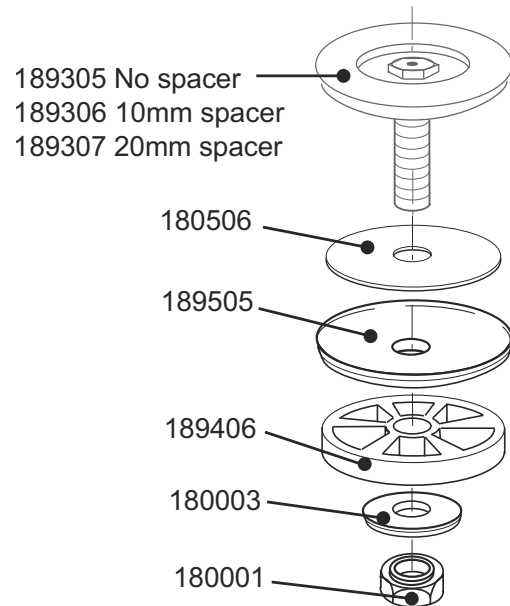
Instructions for use 938164

12. Pyramid shift adapter S 409041



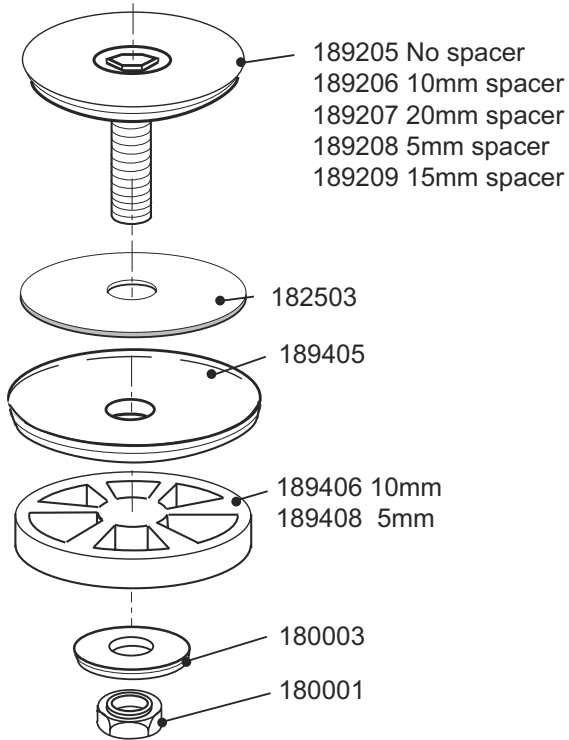
Instructions for use 938050

13. TT alignment kit
 Standard 189906

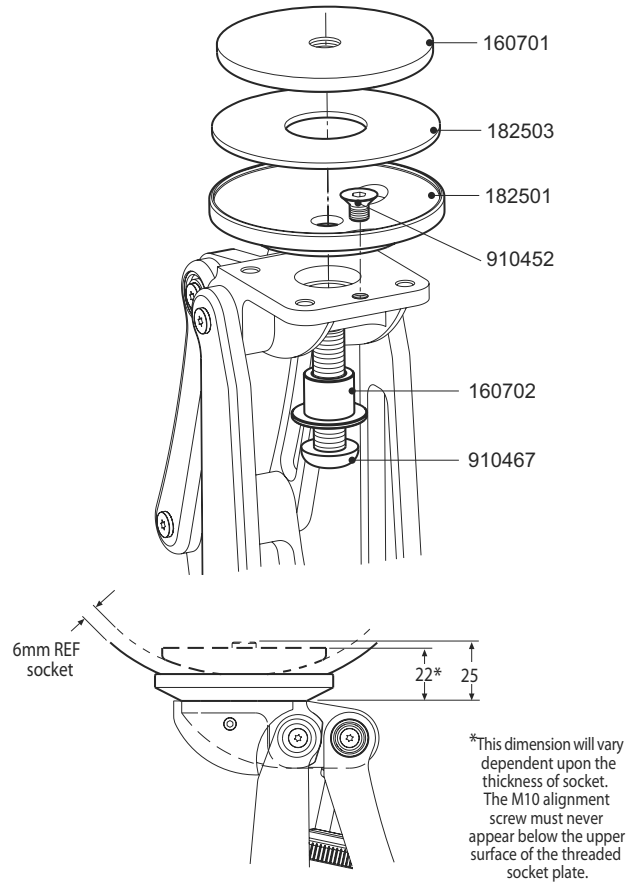


Adapters Schematics

14. TF alignment kit
 standard 189806
 shortening (10) 189805
 lengthening (10) 189807

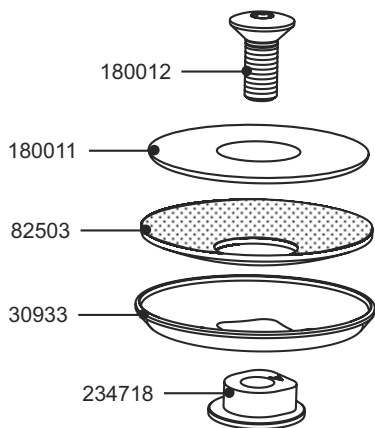


15. KX06 alignment kit 169207



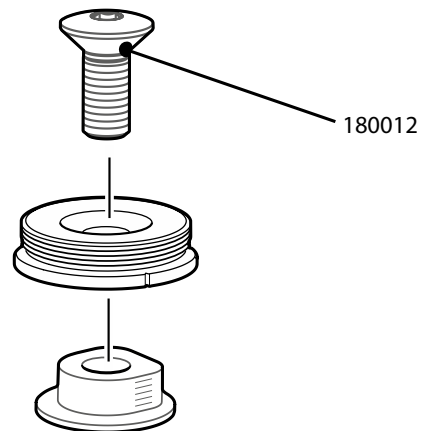
Instructions for use 938272

16. Alignment kit 239032



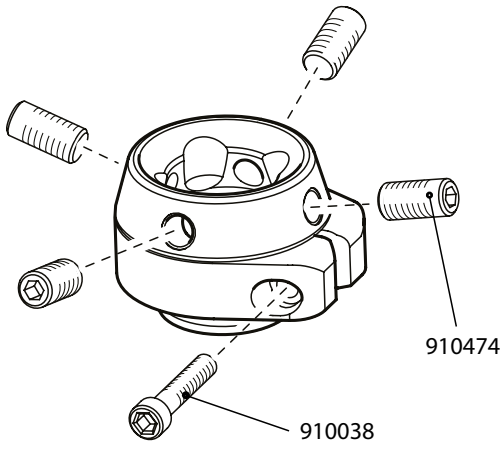
Instructions for use 938265

17. M36 Adapter 239092

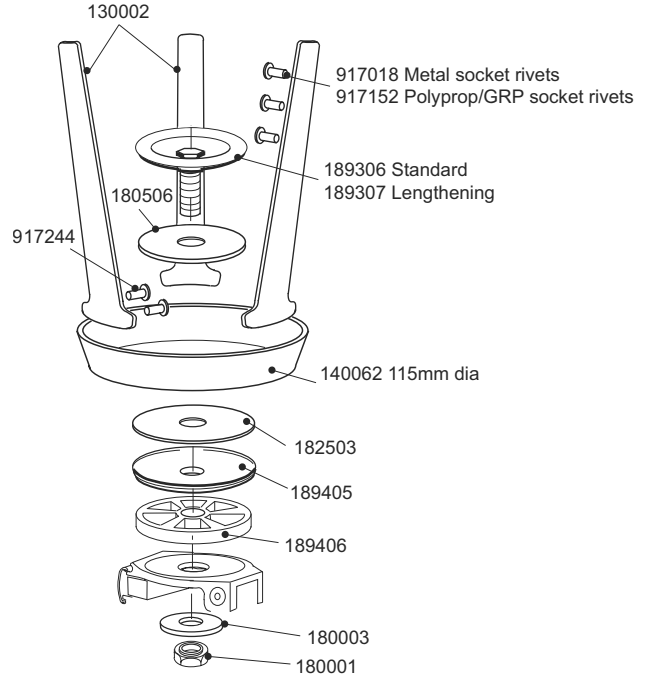


Adapters Schematics

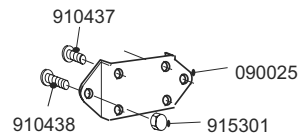
18. Pyramid female - sliding & rotating 189128



19. Cup & Strut kit TF - full alignment 115mm 189118



Thigh release mounting kit 099028



Instructions for use 934327

Number	Description	Part Number	Build height	Material	Weight	Max. User wt. /Activity Level
1	Tube clamp adapter pyramid female 30mm	AK30M1	15mm (51mm)	Titanium	92g	150kg / 1-3 145kg / 1-4
2	Blade top housing TT male - sliding & rotating	539601	7mm	Aluminium/ Titanium	165g	166kg / 1-3 130kg / 1-4
3	Blade top housing TT female - sliding & rotating	539602	28mm	Aluminium/ Titanium	240g	166kg / 1-3 130kg / 1-4
4	Pylon adapter pyramid female - 200mm long - 400mm long - 500mm long	739052	15mm (51mm + tube)	Aluminium	213g	125kg / 1-3 100kg / 1-4
		739053	15mm (51mm + tube)	Aluminium	362g	125kg / 1-3 100kg / 1-4
		739054	15mm (51mm + tube)	Aluminium	420g	125kg / 1-3 100kg / 1-4
5	High strength tube adapter single 30mm High strength tube adapter double 30mm	239030	15mm (51mm + tube)	Titanium/ Carbon Fibre	272g	150kg / 1-3 145kg / 1-4
		239029	40mm + tube (250 max)	Titanium/ Carbon Fibre	364g	150kg / 1-3 145kg / 1-4
6	Pylon adapter pyramid female 30mm- low profile	409053	60mm min, 90mm max	Aluminium	97g	125kg / 1-3 100kg / 1-4
7	Pylon 30mm	330120	250mm max	Carbon Fibre	100g	100kg / 1-3 100kg / 1-4
	Pylon 30mm	330132	508mm max	Carbon Fibre	206g	100kg / 1-4
	High strength pylon 30mm	330146	250mm max	Carbon Fibre	180g	150kg / 1-3 145kg / 1-4
	Pylon 30mm/500mm	903220/500	500mm max	Aluminium	360g	125kg / 1-3 100kg / 1-4
	Pylon 30mm/400mm	903220/400	400mm max	Aluminium	285g	125kg / 1-3 100kg / 1-4
	Pylon 30mm/200mm	903220/200	200mm max	Aluminium	150g	125kg / 1-3 100kg / 1-4
8	Pylon adapter 30mm - full alignment	019231	95mm (280mm)	Aluminium/ Carbon Fibre	348g	100kg / 1-3
9	Pylon adapter full alignment female 30mm- low profile	339240	43mm (95mm)	Aluminium	185g	125kg / 1-3 100kg / 1-4
10	Top housing TT 30mm - full alignment	339008	25mm (59mm)	Aluminium	142g	100kg / 1-3
11	Ankle disarticulation kit - Blatchford dome*	399101	20mm	Aluminium/ St. Steel	141g	125kg / 1-3 100kg / 1-4
12	Multiflex Ankle/Seattle Lightfoot connector	409012	4.5mm	St. Steel	102g	125kg / 1-3 100kg / 1-4

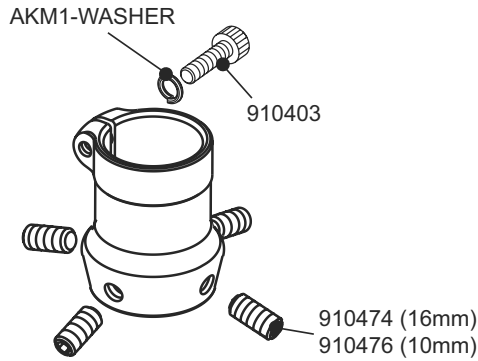
*for Seattle Lightfoot.

Tubes and Adapters



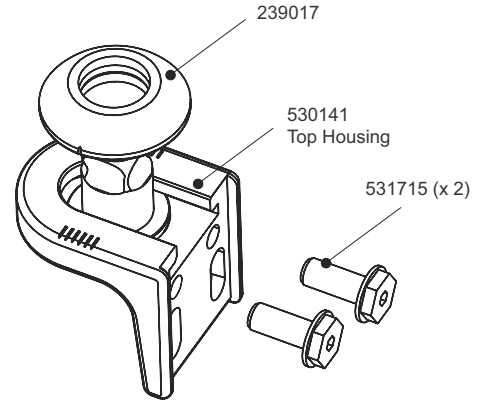
Adapters Schematics

1. Pyramid clamp 30mm **AK30M1**



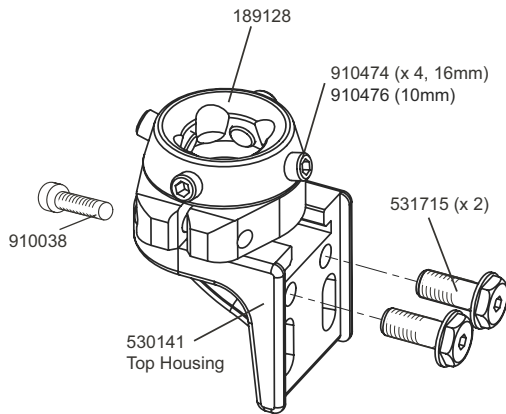
Instructions for use **938252**

2. Blade and Javelin top Housing TT male **539601**



Instructions for use **938307 & 938179**

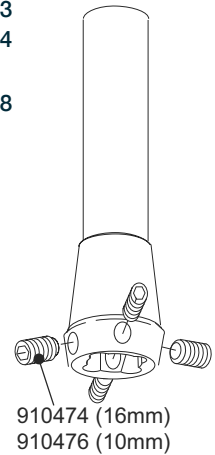
3. Blade and Javelin top Housing TT female **539602**



Instructions for use **938307 & 938313**

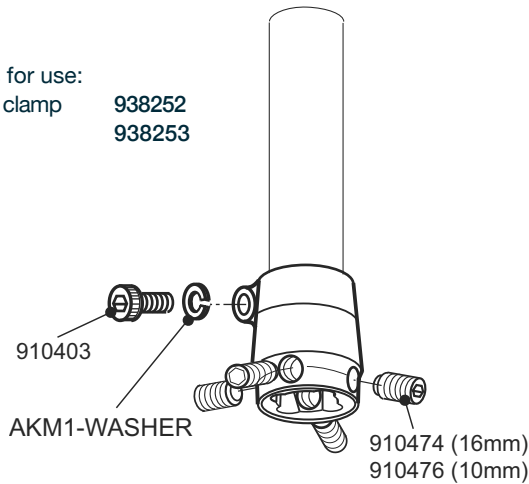
4. Bonded Pyramid Adapter - 30mm tube
200mm **739052**
400mm **739053**
500mm **739054**

Instructions for use **938228**



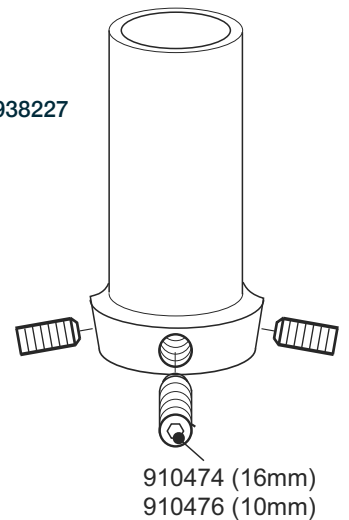
5. High Strength Shin Kit
30mm tube single pyramid **239030**
30mm tube double pyramid **239029**

Instructions for use:
30mm, tube clamp **938252**
tube **938253**



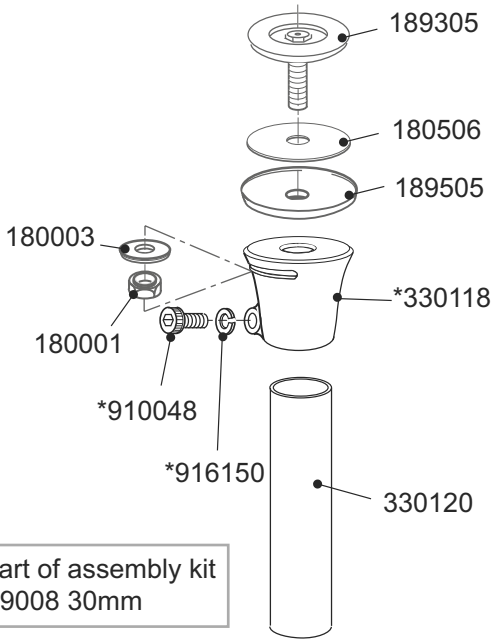
6. Pyramid pylon 30mm **409053**

Instructions for use **938227**



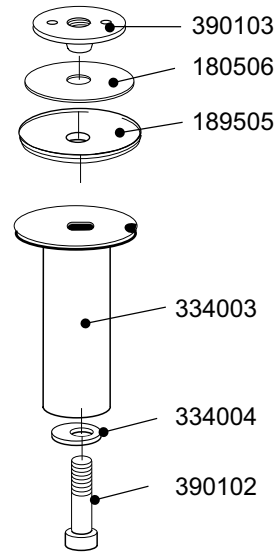
Adapters Schematics

8. Pylon Adaptor - 30mm 019231



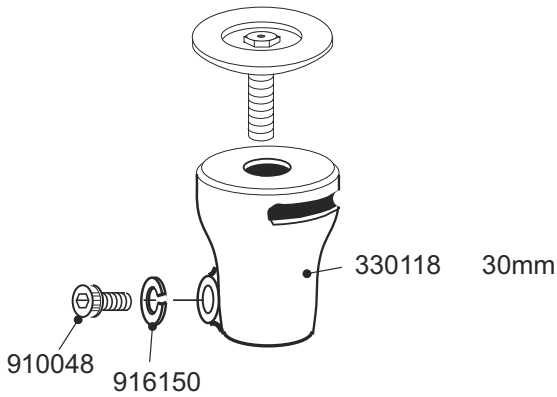
Instructions for use 934393

9. Long stump adapter 30mm dia 339240



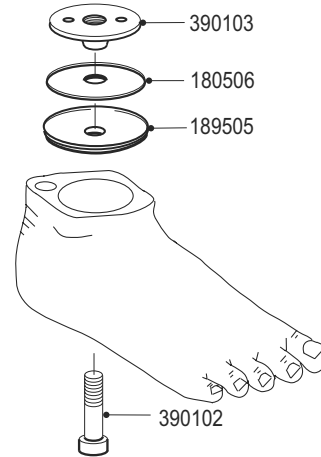
Instructions for use 938069

10. Top housing for TT - 30mm 339008



Instructions for use 938054

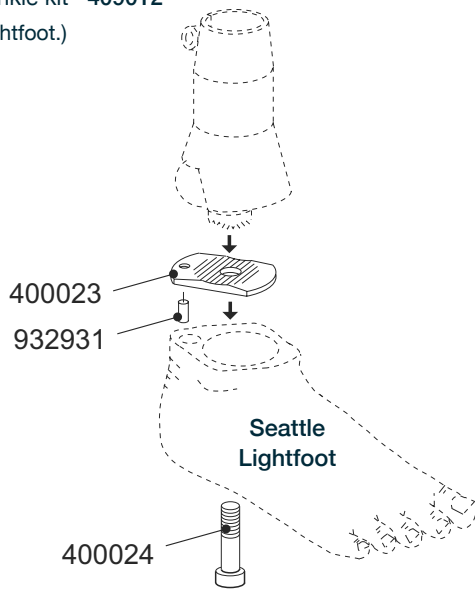
11. Ankle disartic. kit 399101
(For Seattle Lightfoot.)



Instructions for use 934349

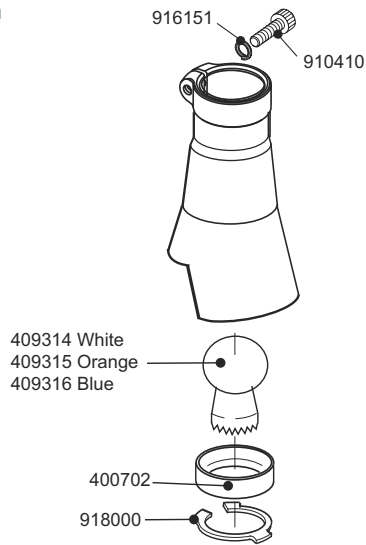
Multiflex Ankle Schematics

12. Multiflex ankle kit 409012
(For Seattle Lightfoot.)



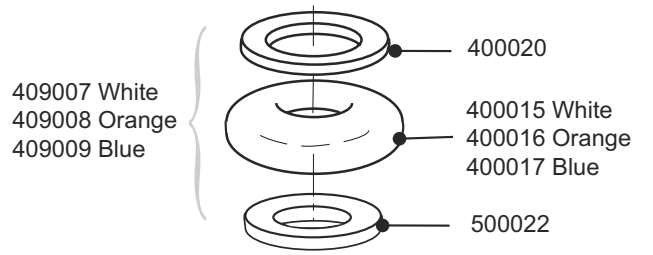
Instructions for use 934339

Multiflex ankle 30mm
60° (w) 379342
70° (o) 379343
80° (b) 379344



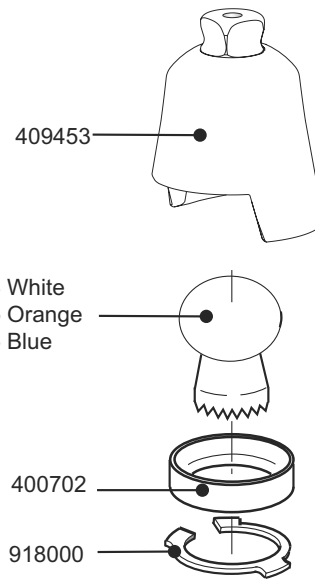
Instructions for use 938224

Snubber



Instructions for use 934331

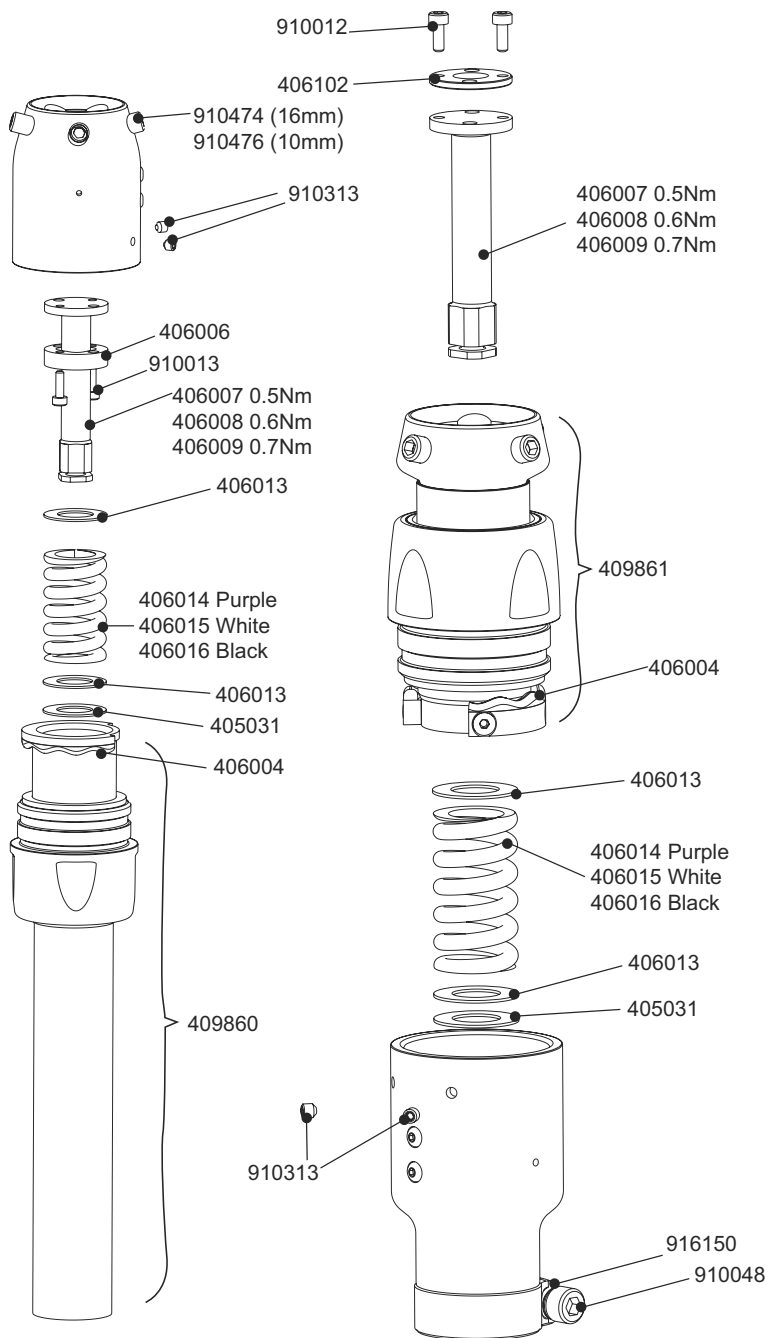
Multiflex ankle (pyramid)
60° (w) 409353
70° (o) 409354
80° (b) 409355



Instructions for use 938225

Build part numbers are for assembly guidance only and may not be for sale separately.

TTPro Schematics



Instructions for use 938416

Ancillary component designed to cushion shock and shear forces caused by vertical and rotational movement. Ideal for sports and activities such as golf, tennis and hiking.

TTPro

Specifications

Max. User Weight/Impact Level: 100kg/ 1-4
125kg/ 1-3

Component Weight: From 317g

Build Height: 135mm - 260mm (pyr)
145mm (clamp)

System diameter: 30mm



Pyramid



Clamp



Suitable for outdoor use

Order Example

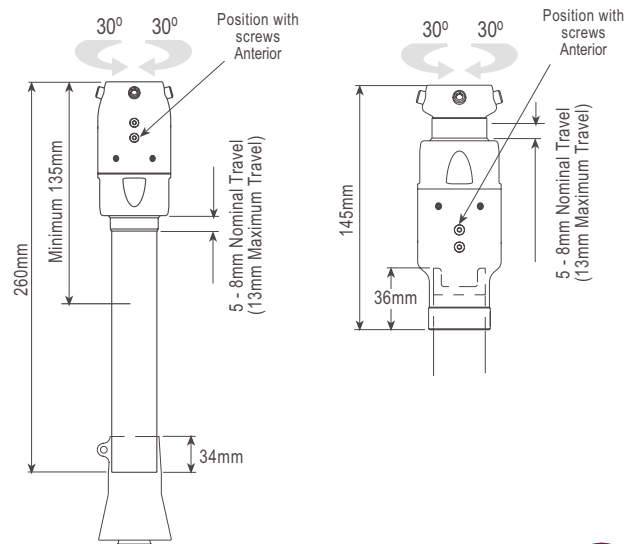
Pyramid			
Product Code	Rod	Spring Set	
TTPRO	PYR	3	B

eg. TTPRO-PYR3B

Clamp			
Product Code	Rod	Spring Set	
TTPRO	30	3	B

eg. TTPRO-30-3B

Build Height



TTPro	Impact Level	User Weight								Rod and Spring Set
		44-52	53-59	60-68	69-77	78-88	89-100	101-116	117-125	
	Low	1P	2P	2P	2W	2W	3B	3B	3B	
	Moderate	2P	2W	3W	3W	3B	3B	3B	3B	
	High	3W	3W	3B	3B	3B	3B	-	-	

4 1
3 2



silcare breathe

Liners



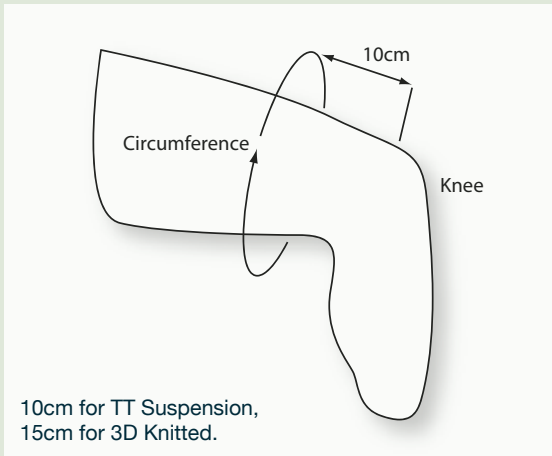
Silcare Breathe Liner - Cushion



Guide to Measurements

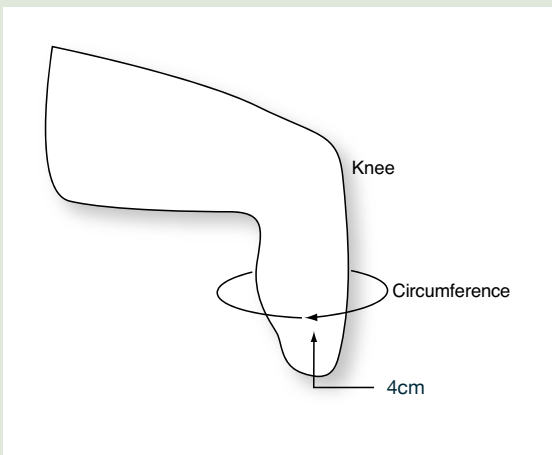
Suspension Sleeves

How to size, measurements taken 10cm or 15cm above patella.



Liners

How to size, measurements taken 4cm from the distal end, depending on liner brand as shown.



Features

- Trans-tibial
- Laser perforations distributed uniformly along the length and distal end to permit escape of air and moisture
- Seamless bi-directional stretch to improve comfort and contouring. Shear forces on the knee are reduced as it flexes
- Tendresse™ finish reduces shear stress on the skin
- Use with a one-way valve helps to generate a better vacuum and more secure fit
- 6 month warranty

Part Numbers

SBTTCPXXL Silcare Breathe Cushion
XX indicates size, see sizing chart and illustrations for details

Sizing Chart

Measurements taken 4cm from the distal end

Measured Size (cm)	Part Number	Description
22cm	SBTTCP22L	Silcare Breathe 22
23.5cm	SBTTCP23L	Silcare Breathe 23.5*
25cm	SBTTCP25L	Silcare Breathe 25
26.5cm	SBTTCP26L	Silcare Breathe 26.5*
28cm	SBTTCP28L	Silcare Breathe 28
30cm	SBTTCP30L	Silcare Breathe 30
32cm	SBTTCP32L	Silcare Breathe 32
34cm	SBTTCP34L	Silcare Breathe 34
36cm	SBTTCP36L	Silcare Breathe 36
40cm	SBTTCP40L	Silcare Breathe 40

*note- 23.5 = SBTTCP23L , 26.5 = SBTTCP26L

Silcare Breathe Liner - Locking



Features

- Trans-tibial
- Laser perforations distributed uniformly along the length and distal end to permit escape of air and moisture
- Locking system and unique one way valve create an airtight seal between the skin and the inner surface of the liner. No separate suspension sleeve is required contributing to a cooler environment for skin and a more comfortable limb and socket connection.
- Uni-directional stretch at the distal end resists pistoning whilst bi-directional stretch at the proximal end allows for comfortable knee flexion.
- Tendresse™ finish reduces shear stress on the skin
- 6 month warranty

Part Numbers

SBTTLPXXL Silcare Breathe Locking

XX indicates size, see sizing chart and illustrations for details

Sizing Chart

Measurements taken 4cm from the distal end

Measured Size (cm)	Part Number	Description
22cm	SBTTLP22L	Silcare Breathe Locking 22
23.5cm	SBTTLP23L	Silcare Breathe Locking 23.5*
25cm	SBTTLP25L	Silcare Breathe Locking 25
26.5cm	SBTTLP26L	Silcare Breathe Locking 26.5*
28cm	SBTTLP28L	Silcare Breathe Locking 28
30cm	SBTTLP30L	Silcare Breathe Locking 30
32cm	SBTTLP32L	Silcare Breathe Locking 32
34cm	SBTTLP34L	Silcare Breathe Locking 34
36cm	SBTTLP36L	Silcare Breathe Locking 36
40cm	SBTTLP40L	Silcare Breathe Locking 40

*note- 23.5 = SBTTLP23L , 26.5 = SBTTLP26L

Comfort Liner - Cushion



Features

- Trans-tibial
- Seamless bi-directional stretch to improve comfort and contouring
- Tendresse™ finish reduces shear stress on the skin
- 6 month warranty

Part Numbers

CTTCPXXL Comfort - Cushion

XX indicates size, see sizing chart and illustrations for details

Sizing Chart

Measurements taken 4cm from the distal end

Measured Size (cm)	Part Number	Description
22cm	CTTCP22L	Comfort - Cushion 22
23.5cm	CTTCP23L	Comfort - Cushion 23.5
25cm	CTTCP25L	Comfort - Cushion 25
26.5cm	CTTCP26L	Comfort - Cushion 26.5
28cm	CTTCP28L	Comfort - Cushion 28
30cm	CTTCP30L	Comfort - Cushion 30
32cm	CTTCP32L	Comfort - Cushion 32
34cm	CTTCP34L	Comfort - Cushion 34
36cm	CTTCP36L	Comfort - Cushion 36
40cm	CTTCP40L	Comfort - Cushion 40

*note- 23.5 = CTTCP23L , 26.5 = CTTCP26L

Comfort Liner - Locking



Features

- Trans-tibial
- Pin lock version suitable for a variety of lock and pin preferences
- Stabilising external matrix with integrated stretch zones
- Tendresse™ finish reduces shear stress on the skin
- 6 month warranty

Part Numbers

CTTLPXXL Comfort - Locking

XX indicates size, see sizing chart and illustrations for details

Sizing Chart

Measurements taken 4cm from the distal end

Measured Size (cm)	Part Number	Description
22cm	CTTLP22L	Comfort - TT Locking 22
23.5cm	CTTLP23L	Comfort - TT Locking 23.5
25cm	CTTLP25L	Comfort - TT Locking 25
26.5cm	CTTLP26L	Comfort - TT Locking 26.5
28cm	CTTLP28L	Comfort - TT Locking 28
30cm	CTTLP30L	Comfort - TT Locking 30
32cm	CTTLP32L	Comfort - TT Locking 32
34cm	CTTLP34L	Comfort - TT Locking 34
36cm	CTTLP36L	Comfort - TT Locking 36
40cm	CTTLP40L	Comfort - TT Locking 40

*note- 23.5 = CTTLP23L , 26.5 = CTTLP26L

TT Suspension



Neoprene trans-tibial sleeve.

Part Numbers

Size	Fitting Range	Part Number
Trans-tibial Suspension Sleeves		029071
		029078
1	240mm - 275mm	029071
2	265mm - 305mm	029072
3	290mm - 330mm	029073
4	320mm - 360mm	029074
5	350mm - 400mm	029075
6	385mm - 440mm	029076
7	425mm - 485mm	029077
8	465mm - 530mm	029078

See page 108 for sleeve and liner measuring guide.

Roehampton



Silesian style suspension system.

Part Numbers

Roehampton Soft Suspension Kit (Silesian) 029127



Cosmesis

Ankle

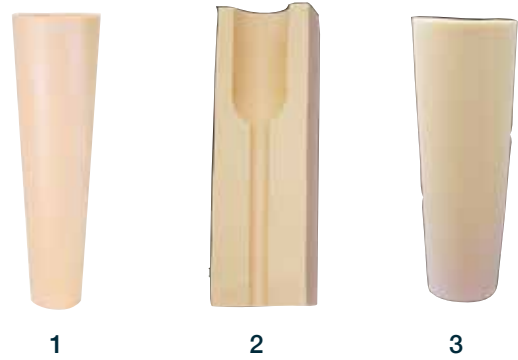


Ankle cosmesis for Multiflex low profile feet.

Part Numbers

	Left	Right	Size
Low Profile Feet			
Multiflex Foot/	561068	561069	22/23/24
Slim Multiflex	561070	561071	25/26
	561072	561073	27/28
	561074	561075	29/30
Super SACH Foot/ Senior Foot	P561081	P561081	All Sizes

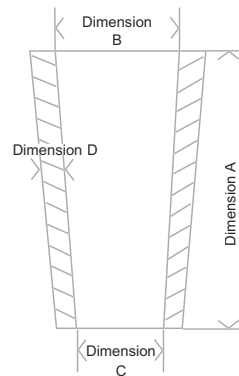
TT



Plastazote cone for trans-tibial cosmesis.

Part Numbers - 1

Dimensions				Number
A	B	C	D	
470	135	85	27	561014
470	155	85	27	561015
470	175	85	27	561012
Universal unshaped, 30/35mm				561077



Universal TT Fairing



Universal trans-tibial shape cosmesis foam fairing with ankle clearance.

Part Numbers

Fairing universal shaped, 480mm long	561099
Fairing Unshaped for 30mm tube	560047

Part Number - 2

30mm TT 2 step PE foam block 560043

Part Number - 3

30mm TT 2 step PU foam 560040

Demountable



Trans-femoral foam for demountable knees.

Part Numbers

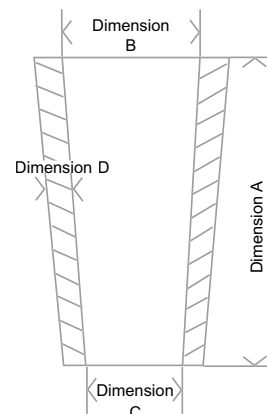
Fairings for Blatchford Knees

Fairing Shaped Small Left (Compatible with ESK+, Smart IP, and Mercury Knee)	561095
Fairing Shaped Small Right (Compatible with ESK+, Smart IP, and Mercury Knee)	561096
Fairing Shaped Large Left (Compatible with ESK+, Smart IP, and Mercury Knee)	561097
Fairing Shaped Large Right (Compatible with ESK+, Smart IP, and Mercury Knee)	561098
Fairing Unshaped Long (Compatible with KX06)	561021
Fairing Unshaped Short (Compatible with KX06)	561022

Universal Fairings

Internal 55mm bore extends 200mm below knee centre (Compatible with Multiflex, Navigator, Sach, Esprit and Epirus)	560031
Internal 55mm bore extends 50mm below knee centre (Compatible with Compact SAKL and S200 Knee)	560032
Fairing Universal Unshaped (Compatible with ESK+, Mercury and KX06)	561094
Fairing Universal Unshaped Long (Suitable for through hip or tall patients)	561020

TF Thigh



Plastazote thigh fairing for upper part of discontinuous cosmesis.

Part Numbers

Dimensions

A	B	C	D	Number
450	175	115	27	561001
450	200	140	27	561004
450	190	140	12	561051
450	150	100	12	561052

Junior



Low density foam fairing for childrens' system.

Part Numbers

Universal unshaped, 25mm, standard Trans-tibial/ small Trans-femoral, (not shown)	561078
Preformed, Trans-femoral	561079
Fairing, Plastazote	561080
Fairing Unshaped 25mm BK Child	561078

Durafoam



Durafoam fairing with low resistance knee flexion section to optimise gait changes

Foam fairing with low resistance knee flexion region.

Part Number

Durafoam knee fairing for use with Orion3 and Linx	561093
Detachable cosmetic cover	561101BLACK

Wheelchair



Pre-shaped wheelchair cosmetic. Available in UK only.

Part Number

Pre-shaped cosmetic limb	560030
--------------------------	--------

Mercury Discontinuous



Part Numbers

Description	Dimension Distal	Proximal	Wall Dimension	Parts
Shin Fairing (1)	85 mm	135 mm	27mm	561014
Shin Fairing (1)	85 mm	155 mm	27mm	561015
Shin Fairing (1)	85 mm	175 mm	27mm	561012
Thigh Fairing (2)	115 mm	175 mm	27mm	561001
Thigh Fairing (2)	140 mm	200 mm	27mm	561004
Thigh Fairing (2)	140 mm	190 mm	12mm	561051
Thigh Fairing (2)	100 mm	150 mm	12mm	561052
Shin Sleeve (3)				580048
Knee ball small (4)				572501
Knee ball medium (5)				572502
Support sleeve (6)				572504



Pyramid version
not shown

Distal Attachment and Cylinders	Discon Small *100mm with Cylinder	Discon Medium *110mm with Cylinder	Discon Small *100mm no Cylinder	Discon Medium *110mm no Cylinder
30mm Distally	MHD30S	MHD30M	239037	239038
Pyramid Distally	MHDPYRS	MHDPYRM	239040	239041
Supplied with knee ball and support sleeve. Shin only - 239752			Knee details on page 23	

Discontinuous



Discontinuous cosmesis articulates at the knee without affecting function. Robust for active users.

Part Numbers

For use with ESK+, will allow up to 140° flexion	579719
For use with ESK+, 160H will allow up to 120° flexion only. Not suitable for ESK with Manual Knee Lock	579819
Knee ball assembly (contained within kit No. 579719)	579419

Non-Definitive TT



Pre-shaped plastic cosmesis for temporary use.

Part Numbers

Cosmetic cover, small	580011
Cosmetic cover, medium	580014
Cosmetic cover, large	580017

TT Fabric



Part Numbers

Size	Foot Size	Colour Code	Light Tone	Medium Tone	Dark Tone
1	22 - 25	Yellow	571251	571253	571252
2	24 - 27	Blue	571261	571263	571262
3	26 - 30	Red	571271	571273	571272

 Supplied in packs of two

TT Fabric



Part Numbers

Size	Foot Size	Colour Code	Light Tone	Medium Tone	Dark Tone
1	22 - 25	Yellow	571201	571203	571202
2	24 - 27	Blue	571211	571213	571212
3	26 - 30	Red	571221	571223	571222

 Supplied in packs of two

HD Fabric



Part Numbers

Size	Foot Size	Colour Code	Light Tone	Medium Tone	Dark Tone
4	26 - 30	Green	571231	571233	571232

 Supplied in packs of two

Stockings



Part Numbers

Unseamed toe, white nylon,
30 denier x 1.25m 909209

Unseamed toe, brown nylon,
30 denier x 1.25m 909212

Supplied individually

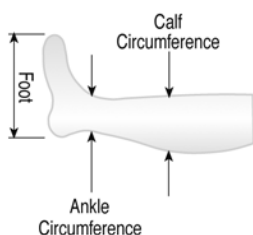
RPVC - TT



Part Numbers

Circumference

Size	Calf	Ankle	Foot	Light Tone	Medium Tone	Dark Tone
X. Small	295	185	22-24	571081	571083	571082
Small	335	225	23-25	571091	571093	571092
Medium	345	225	25-27	571101	571103	571102
Large	355	235	27-28	571111	571113	571112
X. Large	355	235	29-30	571161	571163	571162
Medium shin, regular ankle, footless					570030	
Medium shin, small ankle, footless					570035	
Medium shin, regular foot					570049	



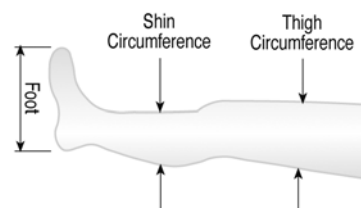
RSi - TF



Part Numbers

Circumference

Size	Thigh	Shin	Foot	Light Tone	Medium Tone
Sml ladies	420	320	23-24	571041	571043
Med ladies	460	355	23-24	571051	571053
Sml mens	420	320	25-26	571001	571003
Med mens	460	355	25-26	571011	571013
Lrg mens	490	400	26-28	571021	571023
X. Lrg mens	545	400	26-28	571031	571033



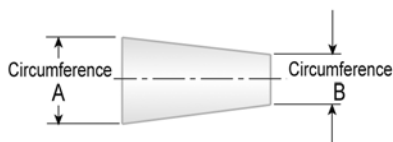
RPVC/RSi



Part Numbers

Description

Size	A	B	Light Tone	Medium Tone	Dark Tone
Small	485	295	571121	571123	571122
Medium	580	365	571131	571133	571132
Large	690	450	571141	571143	571142
X. Large	800	510	571151		



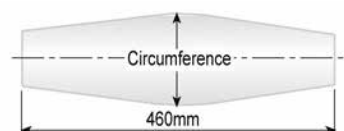
RPVC (discon.)



Part Numbers

Circumference

Size	240mm above KC	
Light Tone		
Ex. Small	360	570063
Small	390	570001
Medium	410	570006
Large	430	570011
X. Large	520	570016



One Shot



Carbon fibre lay up with an integrated adapter enabling fast, safe and secure fabrication, saving time and energy. Creates a single layer lamination socket suitable for both Trans Tibial and Trans Femoral applications. Tested up to 150kg for moderate activity. Available in both male and female pyramid versions.

User weight/ Activity Level: 145kg/ 1-4
150kg/ 1-3

Part Numbers

One shot socket Male Pyramid 15cm	109109
One shot socket Male Pyramid 20cm	109209
One shot socket Female Pyramid 15cm	109309
One shot socket Female Pyramid 20cm	109409

General Items

Description	Width	
Carbon fibre tape	38	909223
Carbon fibre tape	75	909222
High density plastazote		905216
Glass needle mat		909201
Glass fibre stockinette	100	909202
Glass fibre stockinette	150	909203
Glass fibre stockinette	200	909204
Glass fibre stockinette	300	909205
Nylon stockinette	100	909103
Nylon stockinette	150	909107
Non-woven terylene felt		909100
Polyester resin, rigid		905001
Polyester resin, flexible		905002
Accelerator		905003
Catalyst		905004
Pigment, flesh		927301
Acrylic resin, ready mixed 80/20 (4.6 kg)		905100
Acrylic resin, C (0.9 kg)		905102
Hardener powder (0.15 kg)		905106
Sealing resin (0.9 kg)		905110
Colour paste, light/skin		905115
Colour paste, white		905116
Colour paste, brown		905117
Hard foam H300 (4.6 kg)		905121
Hardener for H300 (4.6 kg)		905131
Cast resin 103P (4.6 kg)		905140

Valves and Accessories



Socket Connection Kit*
409663

*For EchelonVAC and AvalonK2VAC products only

Lyn Valve BK2
929052



Threaded Housing
929053



Vac Barb 90° swivel
929055



One-way check valve
929054



In-line filter
929051



Blatchford Socket Lock



- A robust socket lock for silicone and gel liners
- Ratchet operation provides audible feedback for amputee
- Can be laminated or thermoformed into position

Part number:

- 109108 Socket Lock
- 109308 M10 Lock Rod Assembly
- 109408 1/4" UNC Lock Rod Assembly

Flexible Thermoplastic



Check Valve Service Kit
409863

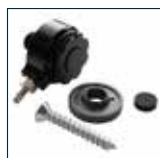
*For EchelonVAC and AvalonK2VAC products only

Aria Hybrid Valve
929062



Valve Block Assembly*
409763

*For EchelonVAC products only



Vacuum tubing 1m length
905464



Lyn Valve® RV Kit - Auto Expulsion
PA0002



Lyn Valve® RV Manual Expulsion - Kit
PA0300



Lyn Valve® RV Slide
PA0400



Aria Valve Plus CA200-AVPM 929074

Blatchford Socket Valves



Part number:

Trans-femoral Suction Socket Valve Kit:
099132 standard 19mm dia. orifice
099134 large 24mm dia. orifice

Trans-femoral, Flexible Socket Valve Kit:
099135 large 24mm dia. orifice

Plastics for Thermoformed sockets.

Polyethylene PE MPE PLUS



Part Numbers

Size	Thickness	Part Number
305 x 305	6	904263
305 x 305	9	904264
343 x 343	6	904266
343 x 343	9	904267
406 x 406	6	904260
406 x 406	9	904261
420 x 460	9	904268

Seaflex



Seaflex is a lightweight thermoplastic sheet and is the latest generation of polyolefin elastomer with three distinct grades of flexibility. It offers excellent tear resistance, no shrinkage and is the ideal material to produce lightweight prosthetic liner sockets.

Part Numbers

12.7 x 406	SFLEX40012.7N100
12.7 x 406	SFLEX40012.7N200
12.7 x 406	SFLEX40012.7N300
16 x 406 S	FLEX40016N200
9.5 x 406	SFLEX4009.5N300
1220 x 812 x 9.5	SFLEX9.5N100
1220 x 812 x 9.5	SFLEX9.5N200
1220 x 812 x 9.5	SFLEX9.5N300

Laminated Sockets ISNY type Trans-femoral
Frame lamination kit, 4mm core (long stump) 932362

Important

In accordance with COSHH regulations Safety Data Sheets are available on all parts listed in this Section. Copies of relevant Data Sheets are available on request. Note: Hazardous and Inflammable Products. Certain products listed in this section are hazardous and/or inflammable and may be subject to transport restrictions. Our customer service department will confirm whether or not products can be dispatched by your chosen method.

Liner Materials - Plastazote

Supplied in various sheet sizes and thickness of 33kg/M3 density. Plastazote provides a lightweight and easily shapeable foam.

Part Numbers

Flesh colour cross linked expanded polyethylene foam (33 kg/m3)

Sheet Size	Thickness	
1000 x 2000	12	905227
1000 x 2000	27	905226
1000 x 2000	30	905228

Northvane

A highly flexible and lightweight low density polyethylene. Typically used for fabrication of Trans Femoral flexible Inner Sockets.

Part Numbers

Flexible socket liner with "silver shield" EVA/low density polyethylene

Sheet Size	Thickness	
343 x 343	9	NVANESQ3439N24
343 x 343	12	NVANESQ34312N24
406 x 406	6	NVANESQ4006N24
406 x 406	9	NVANESQ4009N24
406 x 406	12	NVANESQ40012N24

Socket Materials



Homopolymer Polypropylene

Provides a more rigid alternative to Copolymer polypropylene and typically used in the fabrication of definitive trans femoral prosthetic sockets. Stress relieved square sheets in varying thickness and size, natural colour.

Size	Thickness	
343 x 343	12	HPPSQ34312N
406 x 406	12	HPPSQ40612N
406 x 406	15	HPPSQ40615N

Copolymer Polypropylene

Provides a less rigid and a greater impact tolerance alternative to Homopolymer polypropylene. Also allows for easier heat adjustment post forming. Popular choice for definitive prosthetics sockets across all levels. Various sizes and thickness squares in natural (N) or flesh colour (F)

Size	Thickness	
305 x 305	12	CPPSQ30512N
305 x 305	12	CPPSQ30512F
343 x 343	12	CPPSQ34312N
343 x 343	12	CPPSQ34312F
343 x 343	15	CPPSQ34315N
343 x 343	15	CPPSQ34315F
406 x 406	12	CPPSQ40612N
406 x 406	12	CPPSQ40612F
406 x 406	15	CPPSQ40615N
406 x 406	15	CPPSQ40615F
420 x 460	15	CPPSQ46042015N
420 x 460	15	CPPSQ46042015F

Note: N = natural F = flesh

Northplex

A semi rigid optically clear co-polyester ideal for diagnostic sockets and evaluation of fit.

Size	Thickness	
305 x 305	6	NPLEXSQ3056
305 x 305	9	NPLEXSQ3059
343 x 343	9	NPLEXSQ3439
406 x 406	6	NPLEXSQ4066
406 x 406	9	NPLEXSQ4069
406 x 406	12	NPLEXSQ40612
406 x 406	15	NPLEXSQ40615
420 x 460	9	NPLEXSQ4604209

Semi-rigid thermoplastic reinforcing socket pads - flesh colour polypropylene co-polymer.

Pad, reinforcing plate, suspension TF PP socket	090015
Pad, reinforcing plate, suspension and release control TF PP socket	090016
Pad, reinforcing plate, thigh release control TF PP socket	090021

Sundries

Important

In accordance with COSHH regulations Safety Data Sheets are available on all parts listed in this Section. Copies of relevant Data Sheets are available on request. Note: Hazardous and Inflammable Products. Certain products listed in this section are hazardous and/or inflammable and may be subject to transport restrictions. Our customer service department will confirm whether or not products can be dispatched by your chosen method.

Stockings



Unseamed, white nylon, 30 denier x 1.25m	909209
Unseamed, white nylon, 22 denier x 1.25m	909210
Unseamed, brown nylon, 30 denier x 1.25m	909212



Nylon tubular 10cm - 50m roll	909103
Nylon tubular 15cm	909107
Cotton 4" - 10m roll	930004
Cotton 6" - 10m roll	930007

Spatulas



Spatula, wood	937040
---------------	--------

Sundries



Casting pants, hip disarticulation (shown)	609175
--	--------

Casting Tights (Pink)



Size large pink ballet tights 100% stretch polyamide (nylon)	932340
Size extra large pink ballet tights 100% stretch polyamide (nylon)	932341

Hook and Loop Tape



Hook type self adhesive, 19mm (3/4") wide	909507
Loop type self adhesive, 19mm (3/4") wide	909508

Tape



Self adhesive, 50mm (2") double sided cloth	926401
Self adhesive, 25mm (1") clear PVC	926422
Cloth 50mm (2")	926402

Stump Socks



Stump sock cotton 12"	932310
Stump sock cotton 22"	932315
Stump sock for thermoforming sockets	932327

Body sock for hip disarticulation:	
Large, 65cm long, green stitching (BS01)	572001
Medium, 55cm long, red stitching (BS02)	572002
Small, 50cm long, blue stitching (BS03)	572003

Pots



Mixing 16oz, polypropylene
Mixing 64oz, polypropylene

936030
936033

Cups



Paper chinacote, 9 fl. oz
Paper waxed, 24 fl. oz

937080
937081

Latex Cones



Latex, small
Latex, medium
Latex, large

940625
940626
940627

Tubigrip



Size F (10cm)
Size L (32.5cm)

930002
930015

Abrasives

Abrasive Cloth Emery Grit 80
Abrasive Sheet Screenback

937008
937018

Adhesives



Adhesive, Loctite 222	926001
Adhesive, Loctite 243	926012
Adhesive, Loctite IS424	926104
Adhesive, Dunlop Thixofix	926204
Adhesive, Evostik 528	926213
Loctite 638 retainer	926005
Coyote Quick Adhesive 50cc	CD4150
Mix tips 6 pack (for CD4150)	CD401
Mix tips 20 pack (for CD4150)	CD402
Quick Adhesive Dispenser (for CD4150)	CDDMA51

Lubricants

STP oil treatment	928105
Sealant, silicone rubber RTV108	928320
Release agent, anti-stick spray	928404
Petroleum jelly	928001
Greasil 4000	928009
Rubber and nylon lubricant	928107
Grease-PTFE Impregnated-380g (Foodlube)	928018
Grease-PTFE Impregnated-4kg (Foodlube)	928017
Rocol sapphire endure	928015



Tools

Tools and Equipment

The fabrication process for Blatchford limb systems has been taken into account in the design and in order to minimise fabrication time there are a number of specialised tools available to facilitate fast and accurate assembly. We recommend that the specialised tooling be routinely employed to ensure efficient fabrication and optimal performance for the user. All tools necessary for the manufacture of Blatchford limbs are included in this section.

Personal Protection Equipment

The equipment offered is included as a service to our customers, however the responsibility remains for the user to ensure that adequate precautions are taken to meet local regulations and to provide an acceptable level of protection. Copies of relevant data sheets are available on request.

Cast Equipment



Wall frame 941104



Wall frame clamp 941240



Cast taper mandrel 941105



Cast wrap holder
Trans-femoral 941106
Trans-tibial 941107



Socket alignment
mandrel, trans-femoral 941108



Vertical cast holder support ☞ 941112

Cast Stems

175mm ☞ 941134
250mm ☞ 941135
325mm ☞ 941136
400mm ☞ 941137
(threaded)



Cast support taper 941110
Cast support taper for
plaster bench (not shown) 941218

Socket Tools



Align mandrel for
polypropylene container 941113



Cast build up former
dummy knee 941109
Small dummy knee 941167
(used with former 940637)



Children's cast build up 940671
former, dummy knee large/small
(use with formers 940665 and
940666)

Drape Tables



Vacuum bench ☞ 941503
(includes 941129 drape table small
and 941131 drape table large)
Vacuum pump ☞ 941801
Foot operated switch 941706
for vacuum bench ☞



Small (TT and TF) 941129
Large (TF and hip disartic') 941131
Drape table (hip disartic') 941183



Stem for drape tables 941133

Drape Formers



Trans-femoral ☞ 940636
Small trans-femoral ☞ 940637

Drape Former and Spigots



Small, trans-tibial ☞ 940638
(reducing alignment) -
Large TT ☞ 940647
Children's small TT and TF ☞ 940665
Children's large TT and TF ☞ 940666

Tools

Valve Formers



Teufel valve assembly tool 940021



Teufel boss former 940635

Socket Former Kits

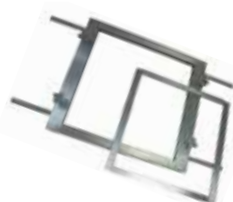


- O rings for 940661 924146
- For laminated sockets (all formers) 940661
- Standard trans-femoral 940673
- Standard trans-tibial 940675
- Small trans-tibial 940676
- Standard trans-tibial 940675
- Ankle disarticulation 940678
- Children's for laminated sockets all formers 940672
- Children's large trans-femoral and large trans-tibial 940679
- Children's small trans-femoral and standard trans-tibial 940680



Vacuum post for laminating 941158

Drape Frames



- 342mm sq., blank 941114
- 305mm sq., blank 941117
- 406mm sq., blank 941118
- 420 x 460mm, blank 941119
- Spacer (use with 941114) 941174
- Spacer (use with 941117) 941175
- Spacer (use with 941118) 941176
- Spacer (use with 941119) 941177

Drape Ovens



250 volts, 50Hz 941500
110 volts, 60Hz 941502



Timer, digital countdown 940320



Hot air welding gun 940311



Replacement blades for hot knife 940571



Socket end trimming cutter 940407
Replacement blade set 940414
Blade setting block 940642

Hole Cutters



- 27mm dia. 940582
- 30mm dia. 940583
- 25mm dia. 940584
- 46mm dia. 940585
- 19mm dia. 940586

Cutting Tools



12mm dia. 940403
21mm dia. 940404

Flap Brushes



Fine 937025
Medium 937026



Flattening cutter 940408



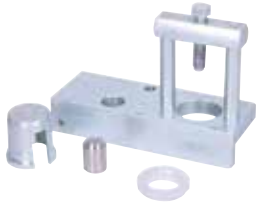
Routing cutter, cylindrical ball nose 940817



Jigs
Mandrel support - side assembly 941120

Tools

General Tools



- Multiflex ankle assembly jig 941125
 Replacement cup 941170
 Replacement pot housing 941215
 Replacement bridge and screw set 941182
 Replacement split collet 941169



- Pot housing for pyramid ankles (as shown) 941239
 (kit) Adapter for 125kg Multiflex ankles both for use with 941125 941241



- Ankle socket wrench 940022



- Multiflex ankle extractor cup, universal 941214
 Snubber assembly tool 940083



- Multiflex ankle snubber assembly tool 941127

- Navigator Assembly Tool 940083

Foot Spanners



- 9/16" AF socket (inc. tommy bar) 940023
 5/16" AF driver (inc. tommy bar) as shown 940079



- Circlip pliers, ankle 940327

Cutting Jigs



- 30mm dia. tube 941237
 Linx pylon cutting jig 941257
 25mm dia. tube 941238



- Dummy pin for Stanceflex strap 940049



- Location pin, trans-femoral for SFESK 940050
 Dummy roll pins 940049
 Dummy pin - KX06 cylind 940084
 T20 Torx 3/8" drive bit 940274



- Rear link clamp 941250
 Body clamp 941251
 Both, for KX06 941252
 KX06 cylinder exchange tool kit 941254



- Elite blade and javelin cutting/drill and fitting jig 941255



- VT cutting/drill and fitting jig 941256

Miscellaneous Tools



- 2mm AF, 940250 2.5mm AF 940248



- 2.5mm AF Hex Driver for ESK+ adjustment 940089



- Nut spinner 5.5mm (7/32") AF 940272



- Peg spanner, pivot pins (2 required) 940054



- Peg spanner, ankle disarticulation 940060

Combination Spanner



- Spanner, 6 x 6mm AF, PSPC 940270



- 10mm AF 940261
 13mm AF 940273
 Alignment (single bolt) 940012

Please contact Customer Services for the lead-times on these items.

Tools

Drills



6mm dia. 940514
 4.2mm dia. 940516
 9mm dia. 940519

Hex Key



1.5mm AF 940232
 2mm AF 940233
 2.5mm AF 940234
 3mm AF 940235
 4mm AF 940236
 4mm AF (Elite foot) 940080
 5mm AF 940237
 6mm AF 940238
 8mm AF 940239
 5/16" AF 940211



Valve spanner (for valves 099132/4/5) 940047



Hydraulic knee control spanner 940091

Torque Wrench



Torque wrench and adapter kit 940057
 Torque wrench 940056
 Extension ring spanner 940058
 Extension bar 3/8" sq. 940296
 Hex. socket 9/16" AF 940226
 Hex. socket 5/16" sq. socket 940229
 Screwdriver socket 5/16" sq. socket 940230
 Screwdriver socket 5mm AF 940266
 Screwdriver socket 6mm AF 940267
 Screwdriver socket 4mm AF 940271
 Torque spanner adapter for Elite foot type heel (not shown) 940081



Torque wrench 940056

Eyes



Safety glasses, blue 939073
 Goggle, chemical 939014
 Panoramette 939016
 Replacement lens for 939014 939016
 Spectacles, safety BS2092/1 939072

Ears



Earmuff - liquid filled 939030
 E.A.R. model 200 caps 939032
 E.A.R. cabocord foam ear plugs 939031

Respiration



Safety mask, disposable 939019

Personal Protection

Hands



Heavy duty gloves, terry cloth 939000
 Rubber Gloves:
 Gauntlet, size 9 939001
 Gauntlet, size 10 939002
 Medium 939004
 Large 939005
 Disposable gloves, large 939007
 Oven gloves, (Kevlar) gauntlet, lined 939009
 Gloves, black heavyweight, medium 939042
 Gloves, cotton 939050

Clothing



Apron, green polythene, 50cm long, 100 per roll 939060

☎ Please contact Customer Services for the lead-times on these items.



	Page		Page		Page
Integrated Limb System		Adapters		Cosmesis	
Linx	12,13	4-bolt adapter kit TF -		Ankle Fairings	114
Knees		Blatchford chassis to 4-bolt	92	Demountable Knee Fairings	115
Aqualimb TF	30,31	Cup & Strut kit TF- Blatchford dome	92	Discontinuous	117
Compact SAKL	28,29	Cup & Strut kit TF- full alignment	92	HD Fabric covers	118
ESK+	24,25	Full alignment kit TF -		Junior Fairings	116
ESK+ MKL	26,27	4-bolt ESK+ and Mercury	92	Mercury Discontinuous	117
KX06	20,21	Full alignment kit TF - Blatchford dome	92	Non-Definitive TT	117
Mercury	22,23	Full alignment kit TF - KX06	92	Durafoam Knee Fairing	116
Orion3	16,17	Full alignment kit TT - Blatchford dome	92	RPVC - TT	119
SmartIP	18,19	KX06 adapter kit	92	RPVC/RSi	119
Feet and Ankles		M36 Adapter	92	RSi - TF	119
Aqualimb TT	74,75	Non-rotating male pyramid adapter	92	Stockings	118
Avalon ^{K2}	62,63	Pyramid 4-bolt	92	TF Fabric covers	118
AvalonK2 ^{VAC}	64,65	Pyramid female - Blatchford dome	92	TF Thigh Fairing	121
BladeXT	58,59	Pyramid female - Blatchford		TT Fabric covers	118
Echelon	42,43	knee chassis	92	TT Fairings	114
EchelonER	44,45	Pyramid female - sliding & rotating	92	Universal TT Fairing	114
EchelonVAC	38,39	Pyramid female short -		Wheelchair cosmetic	116
EchelonVT	40,41	Blatchford knee chassis	92	Socket Technology	
Elan	34,35	Pyramid male - Blatchford dome	92	One shot Socket	120
ElanIC	36,37	Pyramid male - Blatchford knee chassis	92	Seaflex	121
Elite Blade	54,55	Pyramid male - sliding & rotating	92	Socket Liner	122
Elite BladeVT	56,57	Pyramid male 4-bolt	92	Socket Lock	120
Elite2	46,47	TT lamination anchor	92	Socket Materials	122
EliteVT	48,49	Tubes and Adapters		Socket Valves	120
Epirus	50,51	Ankle disarticulation kit -		Thermoplastic	121
Esprit	52,53	Blatchford dome	98	Workshop Equipment	
Javelin	60,61	Blade top housing TT female -		Adhesives	124
Multiflex Slim	70,71	sliding & rotating	98	Cast Equipment	125
Multiflex Standard	68,69	High strength pylon 30mm	98	Cast Stems	125
Navigator	66,67	High strength tube adapters	98	Cutting Jigs	127
SuperSACH	72,73	Multiflex Ankle	102	Cutting Tools	126
Junior		Multiflex Ankle/Seattle		Drape Former and Spigots	125
Child's 4-bar Knee	80,81	Lightfoot connector	102	Drape Formers	126
Mini BladeXT	78,79	Multiflex TT Kit	102	Drape Frames	126
Child's socket attachment	82	Pylon 30mm	100	Drape Ovens	126
M30 Child's Adaptor for 4 Bar Knee	82	Pylon adapter 30mm -full alignment	100	Drape Tables	125
M30 4 Prong Laminate Adapter	82	Pylon adapters pyramid female	100	Flap Brushes	126
Female Mini Pyramid Pylon	82	Top housing TT 30mm	100	Foot Spanners	127
Controls		TTPro	104	General Tools	127
Cylinder fitting kit for KX06	89	Tube clamp adapter pyramid		Hole Cutters	126
Fitting Kit for PSPC	89	female 30mm	98	Jigs	126
Fitting Kit for Smart IP	89	Tube clamp double female/		Misc. Tools	127
Fitting Kit for Mercury Knee	89	female adapter	98	Personal Protection	128
Swing and Stance Cylinder for KX06		Liners		Socket Former Kits	126
Swing and Stance Cylinder for		Silcare Breathe Liner - Cushion	108	Socket Tools	125
Mercury Knee	88	Silcare Breathe Liner - Locking	109	Sundries	123
Swing Cylinder for KX06	88	Blatchford Comfort Liner - Cushion	109	Valve Formers	126
Swing Cylinder for Mercury Knee	88	Blatchford Comfort Liner - Locking	110		
Swing Cylinder for SmartIP	88	TT Suspension	110		
		Roehampton	111		

Warranty Listing

Integrated Limb System	
Linx	36 months*
Knees	
Orion3	36 months*
SmartIP – all variants	24 months
KX06	36 months
Mercury – all variants	36 months
ESK+ - all variants, brake band 12 months only	24 months
Compact SAKL	24 months
Aqualimb TF	24 months
Child's 4-bar Knee	24 months
Feet	
Elan	36 months*
ElanIC	36 months*
BladeXT (excluding paintwork and sole cover)	24 months
Mini BladeXT (excluding paintwork and sole cover)	24 months
Elite BladeVT	36 months
Elite Blade	36 months
EliteVT	36 months
Elite2	36 months
EchelonVT	36 months
Echelon	36 months
EchelonER	36 months
EchelonVAC	36 months
Javelin	36 months
Epirus	36 months
Esprit	36 months
Navigator	24 months
AvalonK2	24 months
AvalonK2VAC	24 months
Multiflex - all variants	24 months
Super SACH	24 months
Aqualimb	24 months

Controls	
SmartIP	24 months
PSPC	24 months
Blatchford Hydraulic Cylinders - all variants	36 months
Service Exchange Products	
Blatchford units - all variants	12 months
SmartIP	18 months
Ankles, Adapters and Shins	
Multiflex Ankles	24 months
Ankle Snubbers	3 months
All Adapters & Tubes	24 months
Shins	24 months
TT Pro – all variants	24 months
Liners and Sleeves	
Silcare Breathe Liners	6 months
Blatchford Comfort Liners	6 months
Suspension Sleeves	1 month
Foot Shells and Cosmesis	
Foot Shell	12 months
Cosmetic Items (Fairings, Coverings, Kneeballs etc)	1 month
Glide Sock	3 months
Cosmetic Cover (Orion3/Linx)	6 months
Ancillary Products	
Tooling	12 months
Test Equipment	12 months
Ovens and Hot Air Guns	12 months
Proprietary items	Manufacturer's Warranty

See Blatchford website for current full warranty statement.

Warranty periods commence from the original date of shipment unless otherwise stated.

Note: Any warranty on repaired or replaced items is governed by the original date as the remaining warranty period from the original purchase must be maintained.

*Extended warranty is available on request; contact your service provider.

Global Warranty Statement

Blatchford Group warrants its products for a period of time against defects in Blatchford material and workmanship (“Manufacturing Defect”). The warranty period applies from the date of the first shipment of the Product to you (the “Original Shipment Date”), unless otherwise specified.

In the event that a Manufacturing Defect is discovered during the warranty period, Blatchford will, at its discretion, repair or replace the affected part or device. If repair is not possible, Blatchford will replace it with another of equivalent function. If this is not possible, Blatchford will refund the purchase price associated with the Manufacturing Defect. Depending on the circumstances and at the discretion of Blatchford, this might be a refund of a specific part of, or the whole device. The warranty of the repaired or replaced part is limited to the remaining warranty period from the Original Shipment Date.

To the extent permitted by local law, the warranty coverage is limited to an amount equivalent to the cost of the original failed part (or where applicable, device) and excludes all associated or related costs. For the sake of clarity, the phrase “all associated or related costs” includes but is not limited to associated parts, assembly and disassembly costs, transport costs, travel and handling costs and any form of compensation.

The warranty does not cover issues arising from misuse, accidental damage, neglect, wear and tear, unapproved component modifications, incorrect assembly and unless otherwise specified, immersion in water.

Specific limitation of use as detailed in the documentation supplied with the product (Instructions for Use) must be complied with. This warranty does not cover products that are modified to meet the needs of the customer where such modifications may adversely affect the lifespan of the item.

Blatchford makes no other express warranty or condition, whether written or oral. To the extent allowed by local law, any implied warranty or condition of merchantability, satisfactory quality, or fitness for a particular purpose is hereby disclaimed. Some countries/regions, states, or provinces do not allow limitations on the duration of an implied warranty, so the above disclaimer may not apply to you. This warranty gives you specific legal rights, and you may also have other rights that vary from country/region to country/region, state to state, or province to province.

To the extent allowed by local law, the remedies in this warranty statement are your sole and exclusive remedies. except as indicated above, in no event will Blatchford or its suppliers be liable for direct, special, incidental, consequential, or other damage, whether based in contract, tort, or otherwise. Some countries/regions, states, and provinces do not allow the exclusion of certain damages, in which case to the extent prohibited, the above limitations and exclusions may not apply to you.

If the product comes with a Warranty Registration Form then this must be completed and returned to the company for the warranty to be effective.

Where requested by Blatchford, a Warranty Claim Form must be fully completed and supplied with the affected part to qualify for warranty.

To make a claim under product warranty, please contact our Customer Services department.

Please be aware our Warranty Statement is subject to change - in all cases our current Warranty Statement is published on our website.



An annual visual inspection is recommended. Check for visual defects that may affect proper function. Maintenance must be carried out by competent personnel. Before carrying out any new activities of daily living, please check with your clinician whether specific training is required.

+44 (0) 1256 316600 | customer.service@blatchford.co.uk
Blatchford Products Limited, Unit D Antura, Kingsland Business Park,
Basingstoke, RG24 8PZ, United Kingdom.

@blatchfordgrp | blatchford.co.uk

936594 Iss20_2 02/21. Information correct at time of print.

Blatchford